

- Wall mounting
- Rectangular
- Stainless steel



## Stainless steel backdraught shutters type OKI

Stainless steel pressure-relief shutter for surface mounting.

### Brand

- Cairox

### Application

- For installation on cooker hoods, tumble dryers and small domestic ventilationsystems

### Material

- Inox

### Composition

- Frame, blade and duct connection made of stainless steel
- Wall seal made of EPDM

### Colour

- Natural stainless steel finish

### Mounting

- Surface mounted by visible screws through the front of the grille
- Rubber seal for tight contact mounting to the wall
- Duct connection with clips on the back of the grille, for insertion in spiral ducts or connection with flexible ducts

### Accessories

- Screws (included)

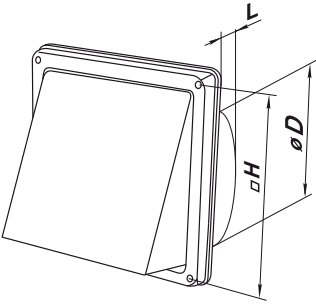
### Order example

- **OKI, 125**

Explanation

**OKI** = Type grille

**125** = Duct connection



Dimensions				
OKI	D[mm]	H[mm]	L[mm]	Ak [cm²]
100	97	137 x 137	52	71
125	120	167 x 167	52	113
150	145	167 x 167	62	165