

- Roof caps
- Plastic
- Red or anthracite gray



Plastic square roof caps type CTP2

Plastic roof hoods

Brand

- Cairox

Application

- Roofpassage for air intake or exhaust in ventilation systems

Colour

- Slate - anthracite gray, RAL 7016
- Terracotta / roof tile - red, RAL 3009

Composition

- Roof hood with bird screen made of UV resistant plastic (ASA)
- Duct connection in plastic
- Lead flashing in rolled lead sheet EN ISO 12588

Mounting

- Provided with lead flashing for mounting on enclined roofs with inclination between 5° and 45°
- Equipped with round duct connection

Text for tender

- The air intake or exhaust shall be effectuated through a platic roof hood supplied with integrated lead flashing and birdscreen
- Finish Red, (RAL 3009) or black (RAL7016) according to the roof finish
- CAIROX Type **CTP2**

Order example

- **CTP2, ROOF TILE RED, 125**

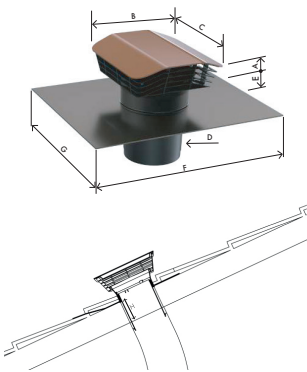
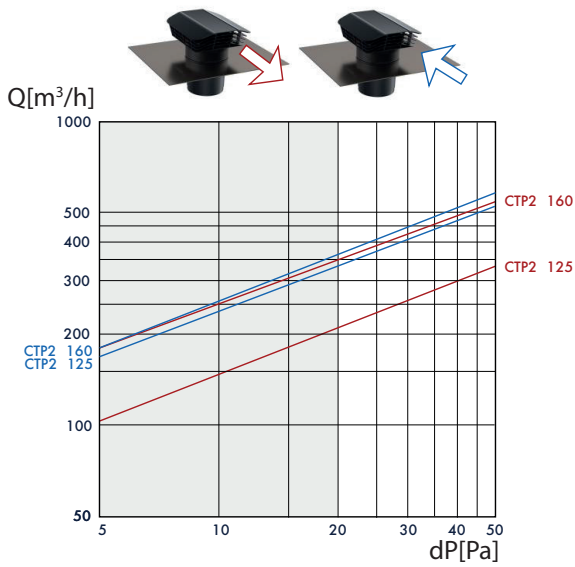
Explanation

CTP2 = Type roof cap

RED = Color of the cap

125 = Connection diameter

Pressure loss



Dimensions									
	A [mm]	B [mm]	C [mm]	ØD [mm]	E [mm]	F [mm]	G [mm]	H [mm]	Ak [m ²]
CTP2 125	83	254	287	125	57	500	385	140	0.036
CTP2 160	83	254	287	160	57	500	385	140	0.036

Ak [m²] = free area of the hood

Remark

The deposit of lead on slate roofs can be avoided by applying patination oil on the lead roof flashing.