



- Half-cylindrical
- Steel
- White, RAL 9016

Air Displacement Units type ADU-H

Air displacement units in half-cylindrical version

Application

- For cooling and fresh air supply in industrial and commercial places
- Units designed for air displacement ventilation at high air volumes at low air velocities
- For temperature differences up to 6K
- luchtdebiet range

Material

- Steel

Colour

- Standard colour white, RAL 9016
- Other RAL-classic colours available on request

Mounting

- To be mounted on floor level against the wall
- Available with top or bottom connection

Accessories

- Additional accessories available upon request

Order example

- **ADU-H 400 x 1000 mm WxH Ø200**

Description

ADU-H = Type of grid

400 = Basic

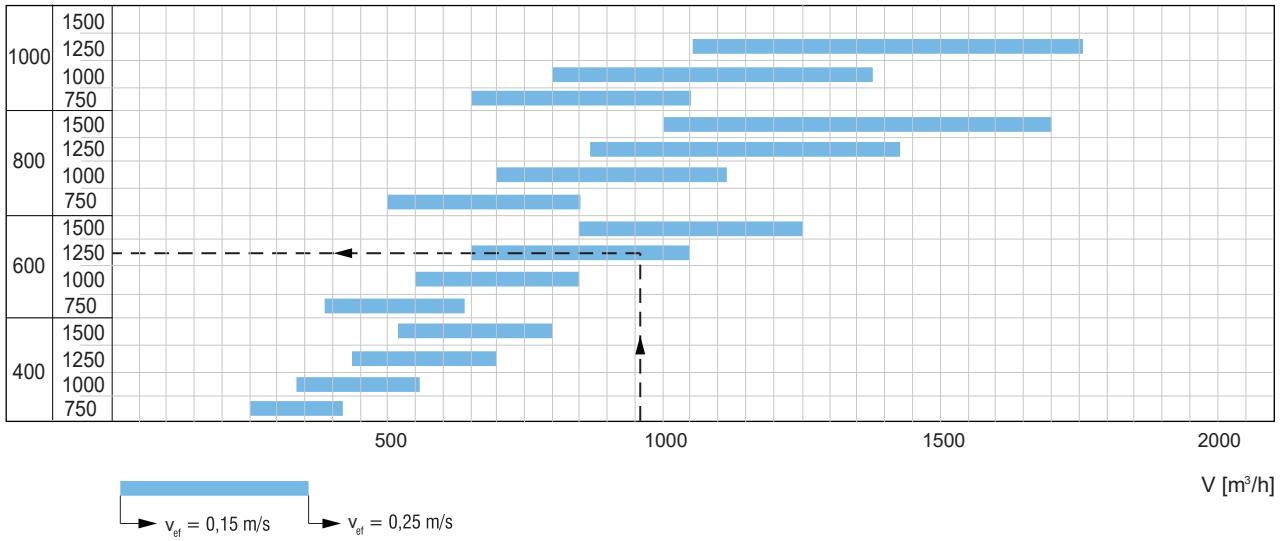
1000 = Height

Ø200 = Connection diameter (standard top connection)

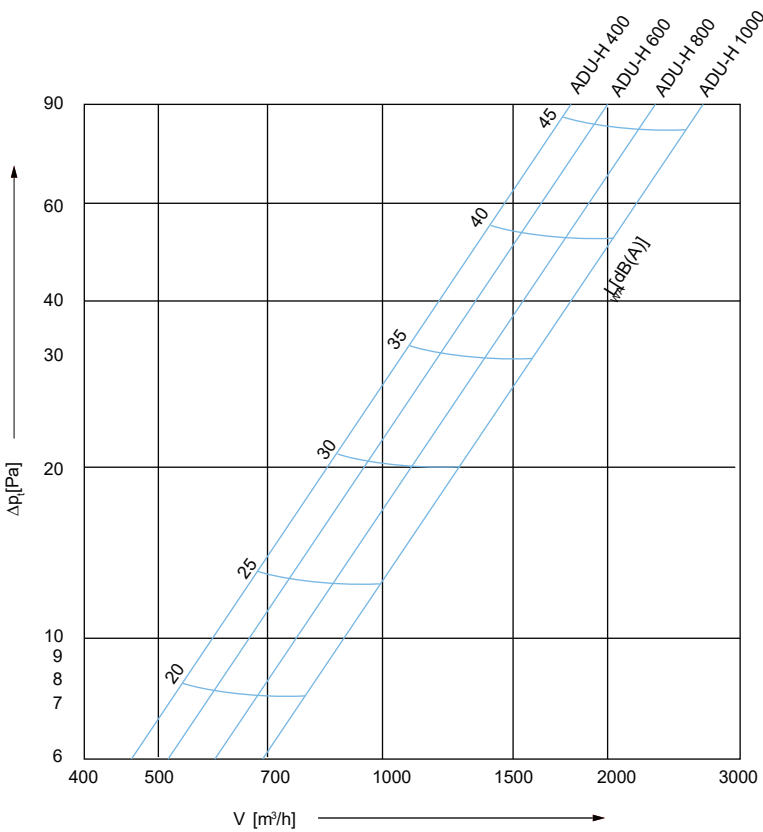
Prices

- Price available upon request

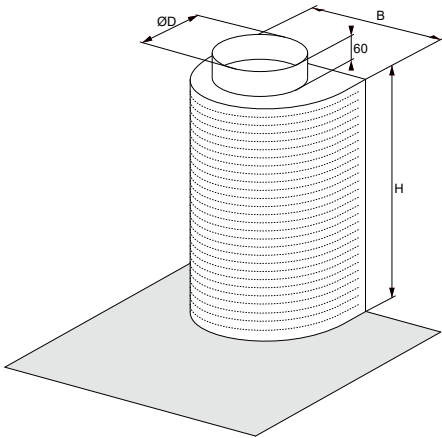
Quick selection



Pressure loss and sound power level

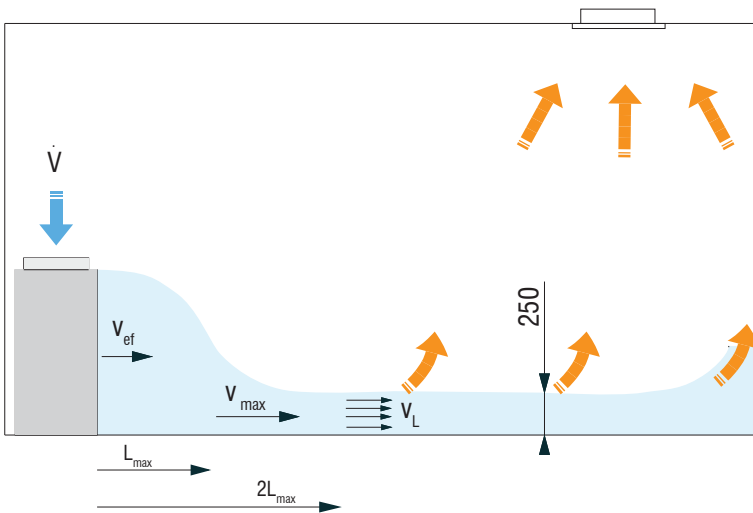


H [mm]	Correction values			
	750	1000	1250	1500
Δpt [Pa]	x 1,25	x 1	x 0,8	x 0,65
LWA [dB(A)]	+3	± 0	-3	-6



B [mm]	Dimensions	
	H [mm]	$\varnothing D$ [mm]
400	500	200
	750	200
	1000	200
	1250	200
	1500	200
600	500	250
	750	250
	1000	250
	1500	250
800	500	315
	750	315
	1000	315
	1250	315
	1500	315
1000	500	355
	750	355
	1000	355
	1250	355
	1500	355

Discharge pattern



Symbols and specifications

- Q = Air volume in m^3/h
- V_L = Average core velocity at distance L (m) from a diffuser in m/s
- Δp_t = Total pressure drop given in Pa
- $L_w(A)$ = Sound power level in dB(A)