

- Rectangular
- Steel
- White, RAL 9016



Air Displacement Units type ADU-P

Air displacement units in rectangular version

Application

- For cooling and fresh air supply in industrial and commercial places
- Units designed for air displacement ventilation at high air volumes at low air velocities
- For temperature differences up to 6K
- luchtdebiet range

Material

- Steel

Colour

- Standard colour white, RAL 9016
- Other RAL-classic colours available on request

Mounting

- To be mounted on floor level in the wall
- Available with top or bottom connection

Accessories

- Additional accessories available upon request

Order example

- **ADU-P 800 x 750 mm BxH Ø250**

Description

ADU-P = Type of grid

800 = Base

750 = Height

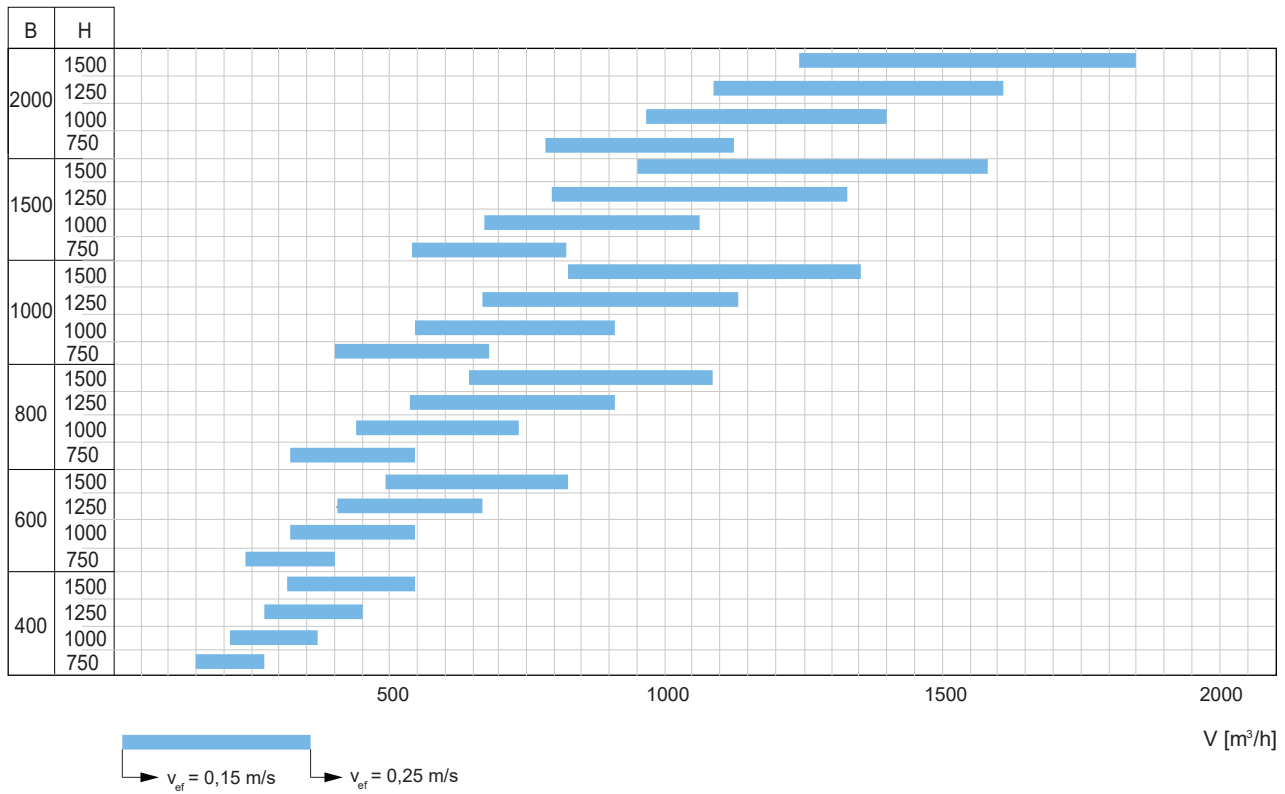
Ø250 = Connection diameter (standard top connection)

Rectangular connection and diffuser depth customizable on request

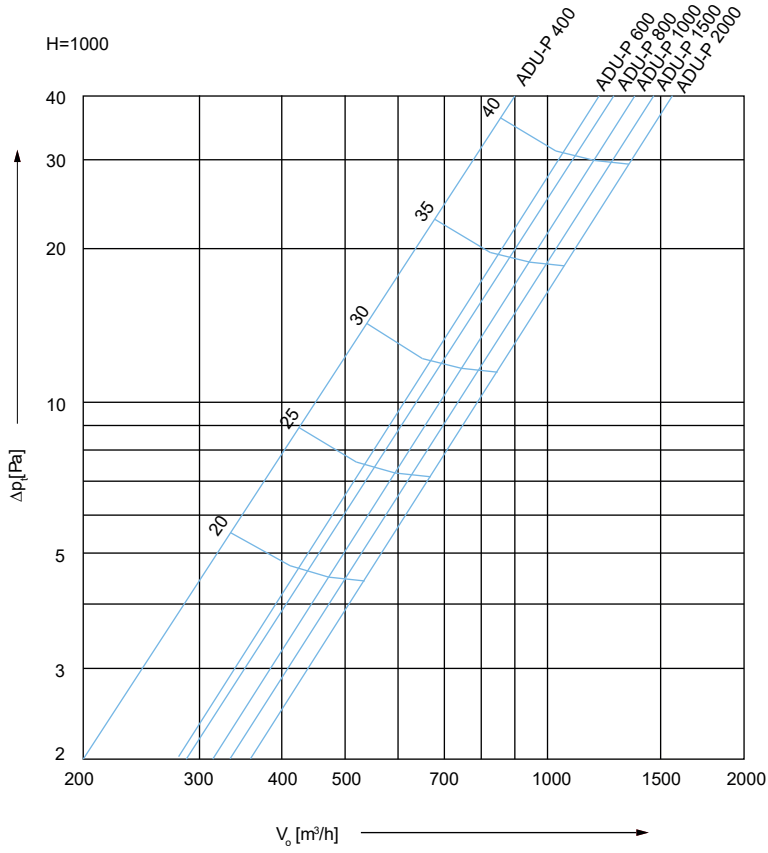
Prices

- Price available upon request

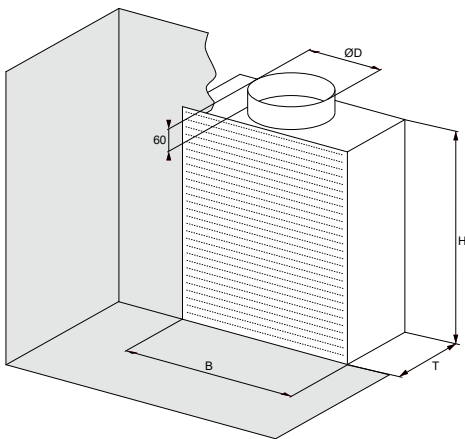
Quick selection



Pressure loss and sound power level

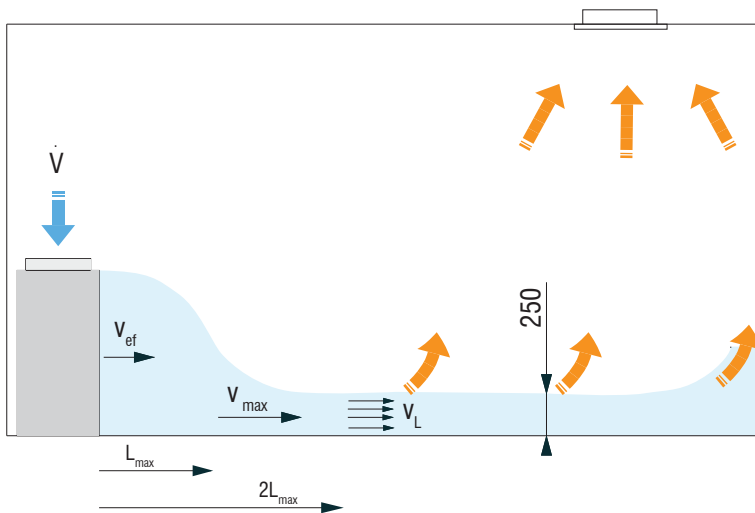


H [mm]	Correction values			
	750	1000	1250	1500
Δp _t [Pa]	x 1,25	x 1	x 0,8	x 0,65
LWA [dB(A)]	+ 3	± 0	- 3	- 6



Dimensions			
B [mm]	H [mm]	T [mm]	ØD [mm]
400	750	300	200
400	1000	300	200
400	1250	300	250
400	1500	300	250
600	750	300	250
600	1000	300	250
600	1250	300	2x200
600	1500	300	2x250
800	750	300	250
800	1000	300	2x200
800	1250	300	2x250
800	1500	300	2x250
1000	750	300	2x200
1000	1000	300	2x250
1000	1250	300	2x250
1000	1500	400	2x315
1500	750	300	2x250
1500	1000	300	2x250
1500	1250	300	2x250
1500	1500	400	2x315
2000	750	300	2x250
2000	1000	400	2x315
2000	1250	400	2x315
2000	1500	400	2x315

Discharge pattern



Symbols and specifications

- Q = Air volume in m^3/h
- V_L = Average core velocity at distance L (m) from a diffuser in m/s
- Δp_t = Total pressure drop given in Pa
- $L_w(A)$ = Sound power level in $dB(A)$