

- Valve with actuator
- Continuous operation



## Circular bi-flow dampers with actuator type KRK-A-TP

Round bi-flow control valves with actuator, opened when under current and with spring return  
Minimal and maximal air volumes can be adjusted on site

### Application

- For air regulation in ventilation and airconditioning systems, cookerhoods, ...
- No Limited time under current
- Max. Temperature 60°C
- Maximum pressure 200 Pa
- Response time 8 seconds
- Consumption 2.5W

### Material

- Valve, housing and constant volume dampers made of fire retardant plastics
- Connections at both sides of the valve made of galvanized steel
- Actuator 230V with spring-return (only to be installed on the top side)

### Composition

- Round body and motorized blade, each equipped with an adjustable constant volume damper in order to make the bi-flow control possible. The constant volume damper in the blade provides the minimum air flow rate when the blade is closed. The bigger constant volume damper in the duct provides the maximum air flow rate in the damper when closed.
  - KRK-A-TP 125: adjustable from 15 to 50 m<sup>3</sup>/h (in the blade) and from 50 to 180 m<sup>3</sup>/h (in the duct)
  - KRK-A-TP 150: adjustable from 15 to 100 m<sup>3</sup>/h (in the blade) and from 100 to 300 m<sup>3</sup>/h (in the duct)
  - KRK-A-TP 160: adjustable from 15 to 100 m<sup>3</sup>/h (in the blade) and from 100 to 300 m<sup>3</sup>/h (in the duct)
  - KRK-A-TP 200: adjustable from 15 to 100 m<sup>3</sup>/h (in the blade) and from 100 to 500 m<sup>3</sup>/h (in the duct)
- Actuator equipped with two supply cables and spring return
- Connection flanges for ducts

**Mounting**

- To be mounted in between two round ducts
- Airstream direction mentioned on the valve to be taken into account!
- Connected to current 230V by 2 wires 0,75 mm<sup>2</sup>

**Text for tender**

- The air regulation bi-flow valves shall be of the round type in fire retardant plastics, equipped with actuator with spring return. The valve will open at a current of 230V and will automatically close when there's no more current. The valve will have two round duct connections in galvanized steel.
- **Cairox Type KRK-A-TP**

**Order example**

**KRK-A-TP 160, 25 m<sup>3</sup>/h / 210 m<sup>3</sup>/h**

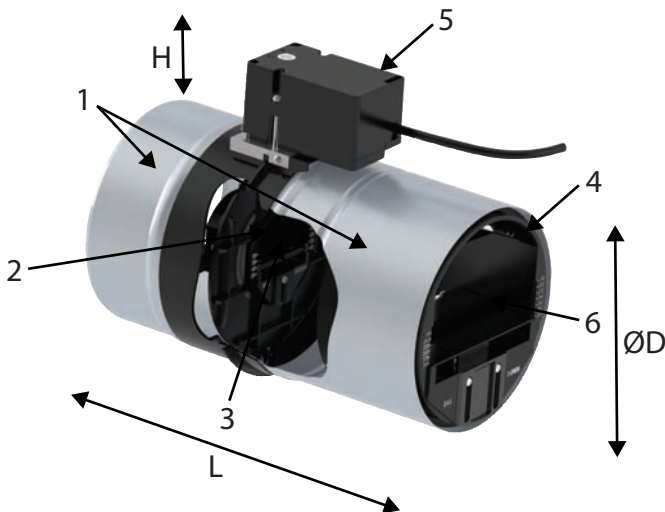
Explanation

**KRK-A-TP** = Type of regulating damper

**160** = Duct size

**25 m<sup>3</sup>/h** = Minimal airflow when valve is closed

**210 m<sup>3</sup>/h** = Maximal airflow when valve is open



1. Galvanized duct connections
2. Plastic valve body with valve blade
3. Small KVR-R constant volume damper mounted within the valve blade
4. Big KVR-R constant volume damper mounted within the duct connection
5. Actuator 230V with spring return
6. Airflow direction

	Dimensions		
	øD [mm]	H [mm]	L [mm]
125	124	100	280
150	149	100	280
160	159	100	280
200	199	100	280