



Ø80 – Ø400

Duct suspension clamps with rubber type OBMC

Galvanized duct suspension clamps with rubber inlay
Diameter range from 80 mm up to 1000 mm

Application

- Used for suspension of circular ducts
- Clamps **OBMC** are especially designed for vibration attenuation
- Dia 80 up to 400 mm with screw M6 on either side, 1-point suspension with M8/ M10 nut on top
- Dia 450 up to 1000 mm with 2-point suspension with M10 hole on either side

Composition

- Made of hot dipped sendzimir zinc plated steel
- Maximum suspended weight: 500 kg
- Width is 20 mm for Dia 80 - 400 mm and 25 mm above Dia 400 mm
- Thickness is 1.8 mm under Dia 400 mm and 2.3 mm above Dia 400 mm
- Rubber inlay:
 - Working temperature:
-40°C + 120°C
 - Material hardness: HS 60° +/-3°

Accessories

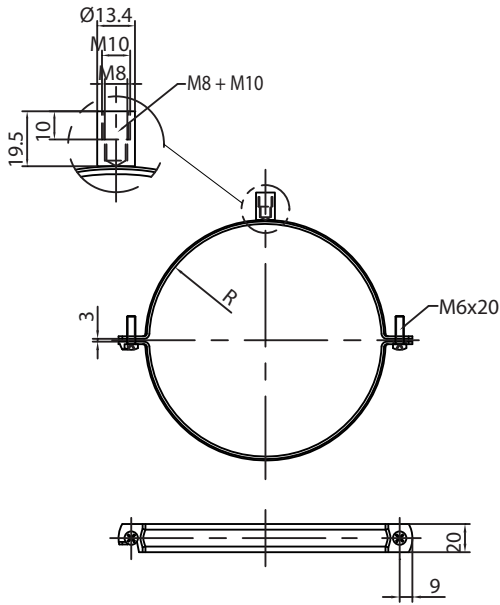
- Threaded rods, type **THA** (not included)

Order example

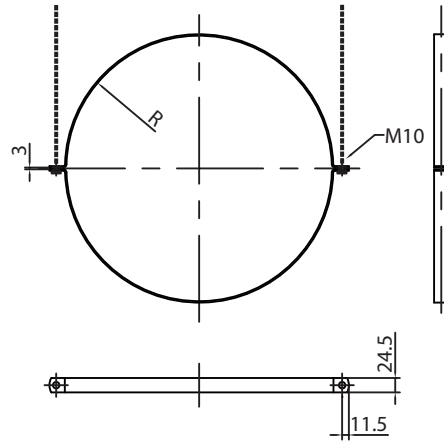
- **OBMC, 250**
Explanation :
OBMC = Clamp type
250 = Diameter of clamp

Text for tender

- The circular ducts shall be suspended by means of sendzimir zinc plated steel clamps with rubber inlay. They shall tolerate a maximum suspended weight of 500 kg. The ducts shall be suspended on two points by means of threaded rods on either side of the clamp
- ATC **type OBMC**



Ø80 - Ø400



Ø450 - Ø1000

OBMC	Dimensions	
	R [mm]	
80	42,5±0,3	
100	52,5±0,3	
125	65,0±0,4	
150	77,5±0,4	
160	82,5±0,4	
180	92,5±0,4	
200	102,5±0,4	
225	115,0±0,4	
250	127,5±0,4	
280	142,5±0,4	
300	152,5±0,4	
315	160,0±0,4	
355	180,0±0,4	
400	202,5±0,8	
450	227,5±0,8	
500	252,5±0,8	
560	282,5±0,8	
630	317,5±0,8	
710	357,5±0,8	
800	402,5±0,8	
900	452,5±0,8	
1000	502,5±0,8	