

- Bends
- With rubber sealing



Short bends male-male 90° with rubber type BDKG90

Galvanized steel short bends 90° with male connections with double rubber lip sealing. Radius $R = 0.6 \times D$ for pressed bends. For reduction of space loss in narrow false ceilings with a limited mounting height. Connection pieces with airtightness class C according to EN 12237. The airtightness is also determined by the mounting on the construction site.

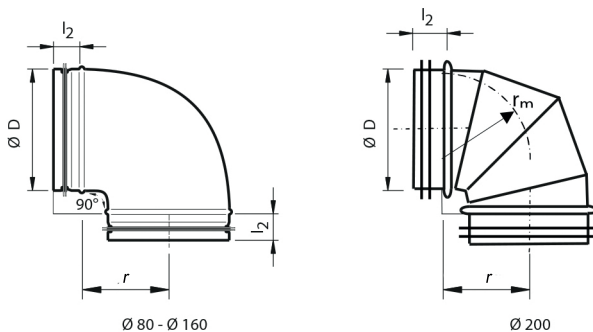
Order example

■ **BDKG90, 200**

Explanation :

BDKG90 = Short bend type with male connections

200 = Diameter of bend



BDKG90	Dimensions		
	ØD	r	l2
80	80	60	40
100	100	60	40
125	125	75	40
160	160	96	40
200	200	158	40

Dimensions

For dimensions please check our website www.cairox.be