

- Bends
- With rubbersealing



Bends 90° with rubber type BDG90

Galvanized steel pressed and seam welded bends 90° with rubber sealing. Radius $R = 1 \times D$. Connection pieces with airtightness class D to EN 12237. The airtightness class is also determined by the mounting on the construction site.

Other available products

- Pressed bends 90° without rubber sealing type **BD90**

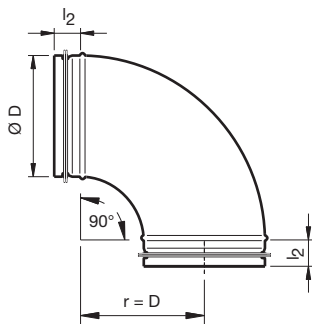
Order example

- **BDG90, 200**

Explanation :

BDG90 = Bend type

200 = Diameter of bend



| Dimensions | | | |
|------------|-----|-----|----|
| BDG 90 | ØD | r | l2 |
| 80 | 80 | 80 | 35 |
| 100 | 100 | 100 | 35 |
| 125 | 125 | 125 | 35 |
| 150 | 150 | 150 | 35 |
| 160 | 160 | 160 | 35 |
| 180 | 180 | 180 | 35 |
| 200 | 200 | 200 | 35 |
| 250 | 250 | 250 | 35 |

Dimensions

For dimensions please check our website www.cairox.be