

- Bends
- With rubbersealing



Segmented bends 90° with rubber type BDSG90

Galvanized steel segmented bends 90° with rubber sealing.
 Radius $R = 1 \times D$ (upto $\varnothing 630$), $R=0.75 \times D$ (starting from $\varnothing 710$).
 Connection pieces with airtightness class D to EN 12237.
 The airtightness class is also determined by the mounting on the construction site.

Other available products

- Pressed bends 90° without rubber sealing type **BDS90**

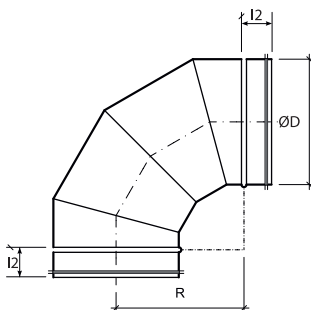
Order example

- **BDSG90, 200**

Explanation :

BDSG90 = Bend type

200 = Diameter of bend



Dimensions			
BDSG 90	ØD	R	l2
250	250	250	50
315	315	315	50
355	355	355	50
400	400	400	50
450	450	450	55
500	500	500	55
560	560	560	55
630	630	630	55
710	710	533	60
800	800	600	100

Dimensions

For dimensions please check our website www.cairox.be