

- Bends
- With rubber sealing



Short bends male-female 90° with rubber sealing type BDMG90

Galvanized steel short bends 90° with male connection with rubber lip sealing and female connection. Radius $R = 0.6 \times D$ for pressed bends. For reduction of space loss in narrow false ceilings with a limited mounting height. Connection pieces with airtightness class C to EN 12237. The airtightness is also determined by the mounting on the construction site.

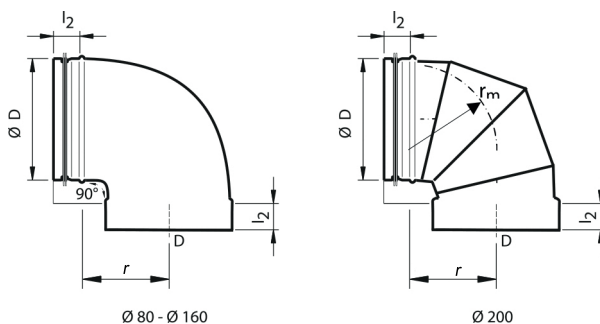
Order example

■ BDMG90, 200

Explanation :

BDMG90 = Short bend type with male and female connections

200 = Diameter of bend



BDG 90	Dimensions			
	ØD	r	l2	
100	100	60	40	
125	125	75	40	
160	160	96	40	
200	200	158	40	

Dimensions

For dimensions please check our website www.cairox.be