



T-pieces 45° with rubber type TDG45

Galvanized steel symmetrical T-pieces 45°, with rubber sealing.
Connection pieces with airtightness class C to EN 12237.
The airtightness class is also determined by the mounting on the construction site.

Order example

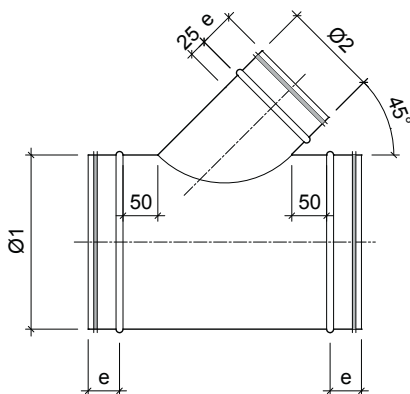
■ **TDG45, 250/160**

Explanation :

TDG45 = Type of T
250 = Diameter of D
160 = Diameter of d

Other available products

- T-pieces 45° without rubber, type **TD45**



Dimensions

For dimensions please check our website www.cairox.be