



Collar saddles with rubber type ARG45

Galvanized steel symmetrical branches 45°, with rubber sealing. Connection pieces with airtightness class C to EN 12237. The airtightness class is also determined by the mounting on the construction site.

Order example

- **ARG45, 400, 250**

Explanation :

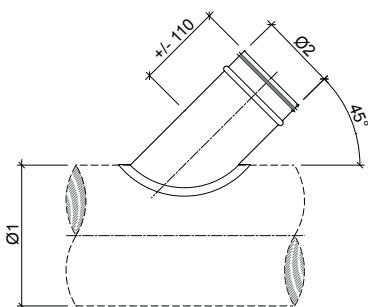
ARG45 = Type of collar saddle

400 = Diameter of main duct

250 = Diameter of branche

Other available products

- Circular branches 45° without rubber, type **ARD45**



Dimensions

For dimensions please check our website www.cairox.be