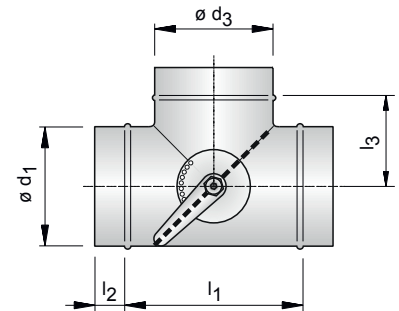


- Volume control dampers
- With rubbersealing



Airtight bypass T valves type ATH90

Circular air-tight bypass T control valve according to EN 12237 with manual quadrant and rubber sealing. Airtight valve according to EN 1751 Class 4. The airtightness is also determined by the mounting on the construction site.

Material

- Galvanized steel

Accessories

- Control valve type **ATH90** can be motorized with a actuator type **LM, NM, LF** or **NF/SF**
- If used with servomotor type **LM**, a mounting plate type **MP-LM** is obligatory. An axe extension type **AEX-12/M6 100 mm** is necessary for **ATH90 80** until **ATH90 250**
- If used with servomotor type **NM**, a mounting plate type **MP-NM** is obligatory. An axe extension type **AEX-12/M6 100 mm** is necessary for **ATH90 80** until **ATH90 250**
- If used with servomotor type **LF**, a mounting plate type **MP-LF** is obligatory. An axe extension type **AEX-12/M6 100 mm** is necessary for **ATH90 80** until **ATH90 250**
- If used with servomotor type **NF** or **SF**, a mounting plate type **MP-NF/SF** is obligatory. An axe extension type **AEX-12/M6 100 mm** is necessary for **ATH90 80** until **ATH90 200**
- An actuator with more than 5Nm (**NM, NF** or **SF**) is recommended for **ATH90** size 315

Text for tender

- A circular air-tight bypass T control valve with manual quadrant is used for a good regulation of the air flow in 2 directions. The valve can be motorized with actuator type **Belimo LM** or **NM**. The manual handle will be replaced by mounting plate Type **MP-LM** or **MP-NM**. An Axle extension **AEX-12/M6 100mm** is recommended.
- Type ATC **ATH90**

Order example

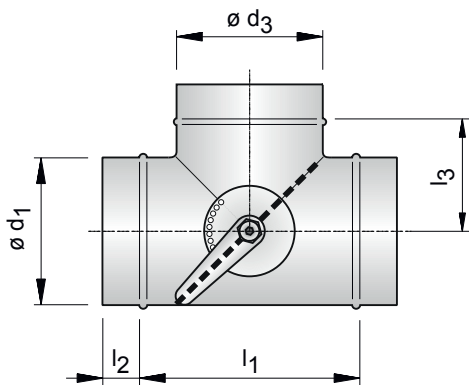
■ **ATH90, 250**

Explanation :

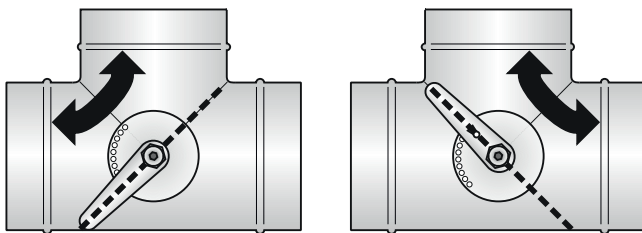
ATH90 = Type of valve

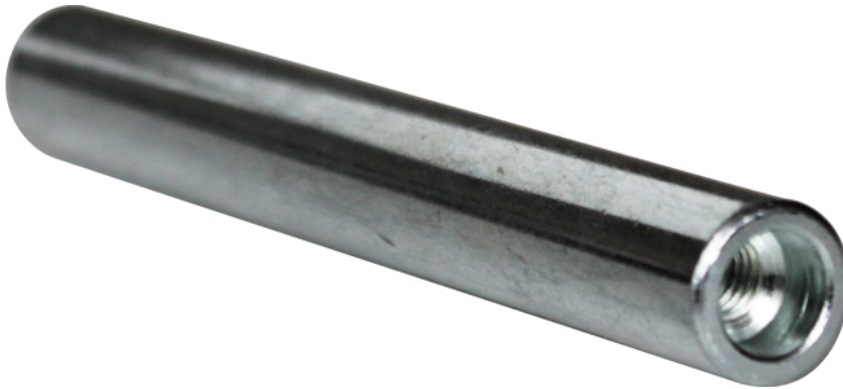
250 = Diameter of valve

Motorisation accessories			
	ATH90 Ø80 -> Ø200	ATH90 Ø250	ATH90 Ø315
LM	MP-LM + AEX-12/M6 100mm	MP-LM	-
NM	-	-	MP-NM
LF	MP-LF + AEX-12/M6 100mm	MP-LF	-
NF/SF	-	-	MP-NF/SF



ATH	Dimensions				
	Ød1 [mm]	Ød3 [mm]	l1 [mm]	l2 [mm]	l3 [mm]
ATH90 80	80	80	120	40	50
ATH90 100	100	100	135	40	65
ATH90 125	125	125	160	40	75
ATH90 150	150	150	205	40	95
ATH90 160	160	160	220	40	100
ATH90 200	200	200	290	40	125
ATH90 250	250	250	370	40	150
ATH90 315	315	315	400	60	180





Axle extensions type AEX-12/M6

Axes extension for Belimo servomotor-mounting on a circular control valve.
Provided with internal thread M6. Thread to be secured with metal glue.
Always to be used in combination with mounting plate, type **MP**.

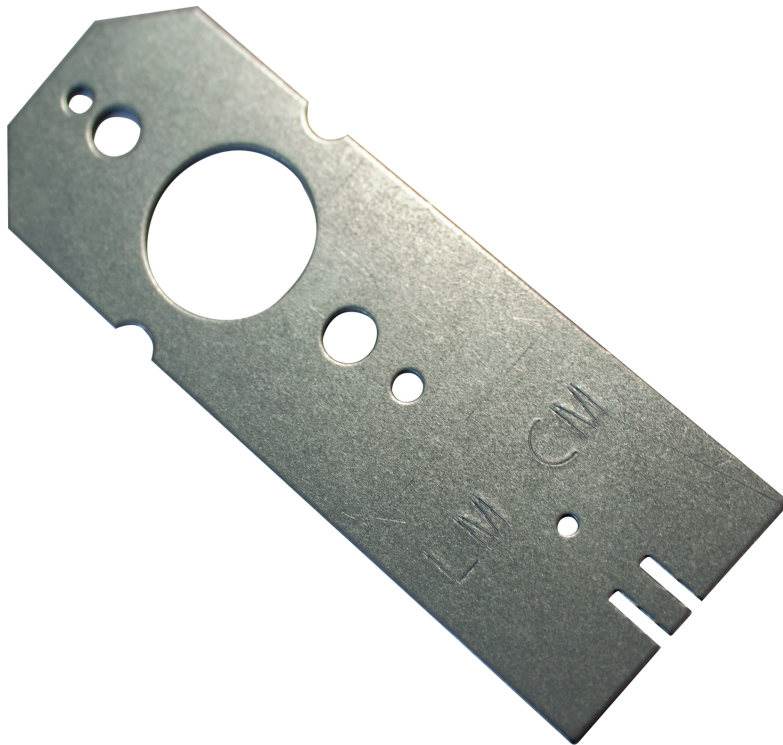
Order example

■ **AEX-12, 100**

Explanation :

AEX-12 = Type of axle extension

100 = Length of axle extension



Mounting plates for servomotor type MP

Mounting plates for mounting a Belimo actuators on a circular control valve

- **MP-LM** for mounting actuators of type LM...A
- **MP-NM** for mounting actuators of type NM...A
- **MP-LF** for mounting actuators of type LF
- **MP-NF/SF** for mounting actuators of type NF...A or SF...A

Order example

- **MP, LM**

Explanation :

MP = Type of mounting plate

LM = Type of Belimo-motor used

