



Galvanized breech 90° with rubber type BSG

Galvanized steel Y-pieces 90° with $d_2=d_3$.
Connection pieces with airtightness class C to EN 12237.
The airtightness class is also determined by the mounting on the construction site.

Order example

■ **BSG90, 250**

Explanation :

BSG90 = Type of Y-piece

250 = Diameter of all duct connections

■ **BSG 250/2x200**

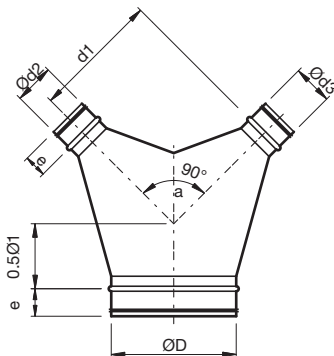
Explanation :

BSG90 : Type of Y-piece

250/2x200 : $D_1=250$ mm en $d_2=d_3=200$ mm

Other available products

- Other configurations upon request



Dimensions

For dimensions please check our website www.cairox.be