



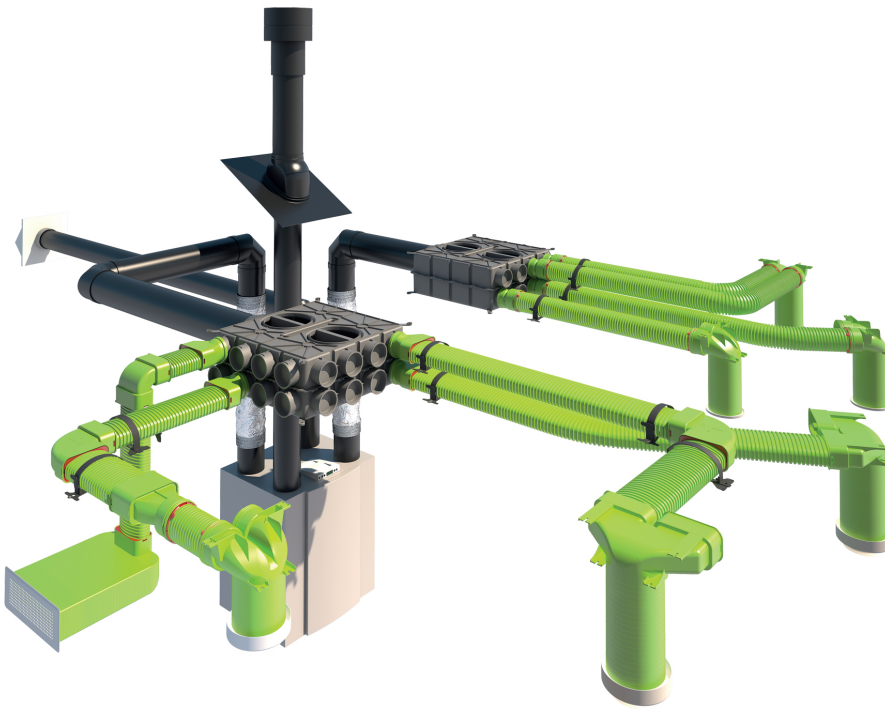
ubblink

C.03

Synthetic duct
and fitting

UAE

Ubbink Air Excellent



Ubbink Air Excellent type UAE

The Ubbink Air Excellent air distribution system is designed to transport air between the ventilation unit and the expulsion and extract points in the different spaces in the building.

The Ubbink air distribution system is available in 6 different measures : 3 round versions (circular Ø62 mm, Ø75 mm & Ø90 mm) and 2 half-round versions (semi-circular 60x130 mm, 50x140 mm & 50x100 mm)

Application

- The Ubbink Air Excellent system is applied in all types of single-family homes and appartement buildings, also applicable for small utility buildings. The duct system can be applied in concrete, chappe, lowered ceiling as apparent; Suitable for new buildings, as well as renovation projects.

Specifications

- The air tight and tensile mechanical connections insure a class D airtightness
- The Air Excellent system is provided with all necessary air conducting and anti-static PE accessoires for the realization of all installations.
- All moldings and valve adaptors have good air conductivity, the hereby obtained low resistance provides a higher efficiency and a lower sound production.
- The Air Excellent system is the first to have obtained the TÜV SÜD certification and is BIM ready. The procession temperature : from -20°C until +60°C.

Composition

- The Air Excellent system includes 3 important parts: the distribution box (**UDB**), the duct (**UAE-FLEX**) and the valve adaptor (**UAE-VA / UAE-FGA**)
 - The UDB distribution boxes are provided by an inspection hatch and are hereby easily accessible for maintenance (STS P-73-1 (Belgium)). They can be used with each type of flexible duct by using a connection piece (**UDB-CON**)
 - The UAE double walled, shape-retaining flexible ducts are manufactured of 100% pure PE for the outer part, with a smooth PE inner part provided with an anti-bacterial and anti-static property (silver-ion coating)
 - The valve adaptors UAE-VA / UAE-FGA are always provided with a cover to protect against pollution. (STS P-73-1)
 - The apparent use of the distribution box allows the use of the control valve **UDB-KDP** to regulate the airflow.



ubbink

C.03

Synthetic duct
and fitting

