



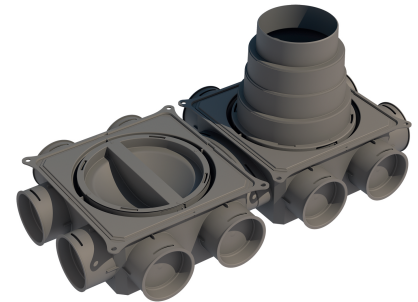
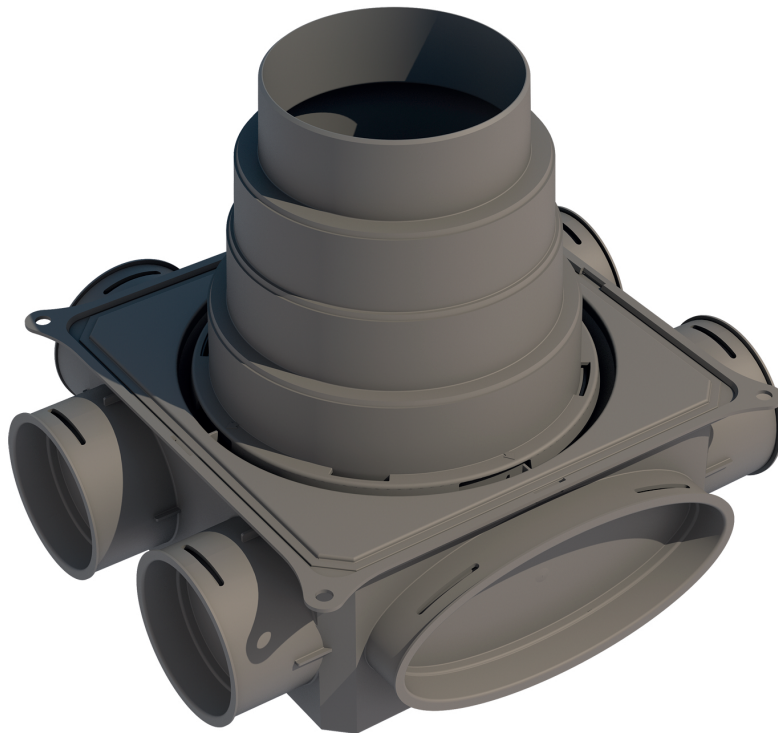
ubblink

C.03

Synthetic duct
and fitting

UDB-S

- Recessed ducts
- Ubbink Air Excellent
- Collectors/Distribution boxes



Air distribution box Air Excellent type UDB-S

Universal collector, suitable for flexible ducts UAE-FLEX in all sizes. The UDB-S air distribution box with reduced built-in height, insures the air distribution between the ventilation-unit and the supply- and outlet points.

Brand

- Ubbink

Application

- For applications up to 350 m³/h per UDB-S
- Perfectly suitable for residential applications
- Applicable for wall, floor and ceiling mounting
- Also applicable for ventilation systems type C

Specifications

- Colour: gray
- Antistatic and antibacterial properties
- Air tightness class D
- System pressure: + 2000 Pa / - 2000 Pa
- Temperature resistance: from -20°C up to +60°C
- Pressure on all distribution boxes within the 200 series: 200mm of concrete
- Maximum air volume: single version ≤ 250 m³/h, double version ≤ 350 m³/h

Composition

- Material: plastic (PP)
- Standard 6, 8 or 12 duct connections
- All **UAE-FLEX** ducts can be connected using connection pieces, type **UDB-CON-K**
- Standard vertical main connection with mutiple reduction in diametre 125-180 mm, type **UDB-RD 180/125** can be modified with the use of an optional adaptor type **UDB-RD 125/100**
- **UDB-S 6V** had an oval sideways connection used for inspection, maintenance and adaptations of the restriction rings through the removable lid
- The **UDB-S 6V** has the possibility for a sideways connection for Ø100 and 125 mm (**USB-S-ADAP**)



ubbink

Accessories

- Multiple reduction 100-125 mm, type **UDB-RD 125/100**
- Multiple reduction 125-150-160-180 mm, type **UDB-RD 180/125**
- Adapter kit - horizontal connection 100 mm, type **UDB-S-ADAP 6H100**
- Adapter kit - horizontal connection 125 mm, type **UDB-S-ADAP 6H125**
- Connection piece, type **UDB-CON-K**
- Lids (per 10 pieces), type **UDB-DD**
- Restriction rings (per 10 pieces), type **UDB-RST**
- Control valve type **UDB-KDP**

Order example

UDB-S 6V 180

UDB-S = Type of air distribution box

6 = Number of connections

V = Vertical main connection

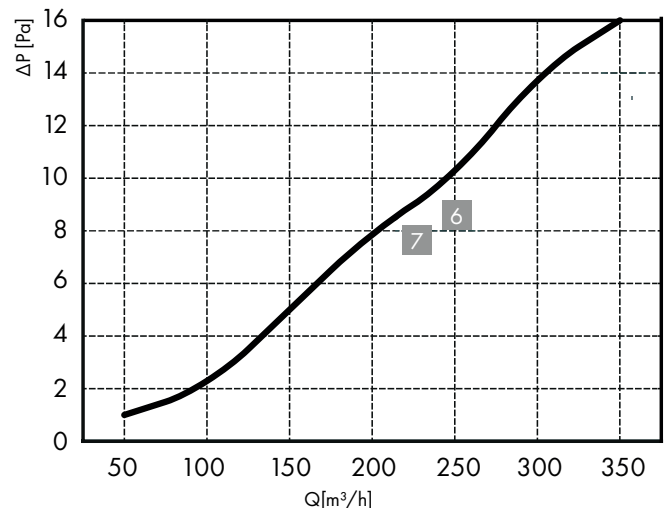
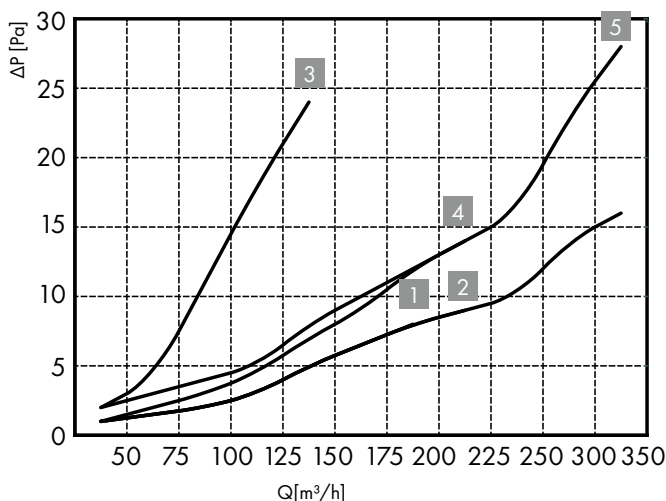
180 = Maximum connection Ø180 mm

Features and benefits

- Smart inspection
- Maintenance-friendly and practical redistribution through the restriction rings (also during renovation)
- Lower energy consumption and noise level due to lower pressure losses
- Limited sound transmission through the air distribution box and duct system
- No chance of cross-talk due to the application of separate channels
- Limited installation height
- Airtight and tension-resistant connections due to mechanical connections
- Quick and easy commissioning
- Easy cleaning

Type UDB-S	Combined with	AP [Pa]	Technical data											
			Q [m³/h]											
			50	75	100	125	150	175	200	225	250	300	350	
UDB-S 6V180	-	AP [Pa]	1	1.5	2	3	5	6.5	8	9	10	-	-	
UDB-S 6V180	UDB-RD 125/100		1	1.5	2	3	5	6.5	8	9	-	-	-	
UDB-S 6V180	UDB-S-ADAP 6H100		2	4	11	18	24	-	-	-	-	-	-	
UDB-S 6V180	UDB-S-ADAP 6H125		2	3	4	5	8	10	12	14	-	-	-	
UDB-S 8V180	-		1	1.5	2	3	5	6.5	8	9	10	-	-	
UDB-S 8V180	UDB-RD 125/100		1	1.5	2	3	5	6.5	8	9	-	-	-	
UDB-S 12V180	-		1	2	3	4.5	7	9	12	14	16	23	28	

Selection curves

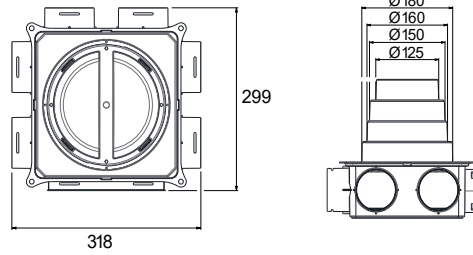


1. UDB-S 6V180
2. UDB-S 6V180 + UDB-RD 125-100
3. UDB-S 6V180 + UDB-S-ADAP 6H100
4. UDB-S 6V180 + UDB-S-ADAP 6H125
5. UDB-S 12V180
6. UDB-S 8V180
7. UDB-S 8V180 + UDB-RD 125-100

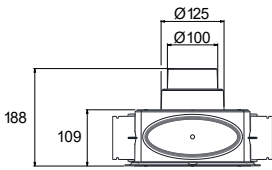


ubbink

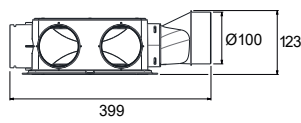
UDB-S 6V



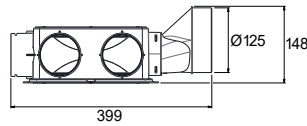
+ UDB-RD 125/100



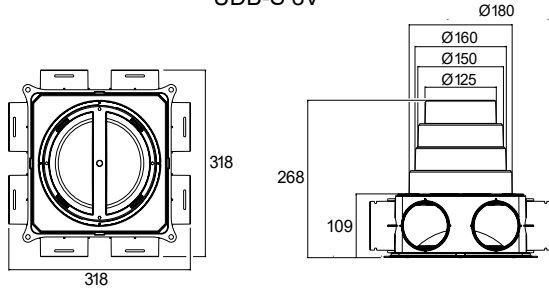
+ UDB-S ADAP 6H100



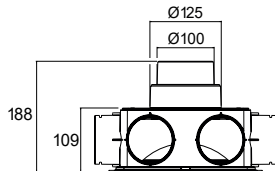
+ UDB-S ADAP 6H125



UDB-S 8V



+ UDB-RD 125/100



UDB-S 12V

