



ubbink

C.03

Synthetic duct
and fitting

UDB-L

- Recessed ducts
- Ubbink Air Excellent
- Collectors/Distribution boxes



type UDB-L

The **UDB-L** air distribution box guarantees the air distribution between the ventilation unit and the supply and extraction air valves

Brand

- Ubbink

Application

- For applications up to 450 m³/h for each UDB-L
- Suitable for residential and small commercial applications
- Applicable for wall, ceiling and floor mounting as surface installed air distribution box
- Also suitable for single flow ventilation systems

Specifications

- Color: grey
- Airtightness class C
- System pressure: + 2000 Pa/- 2000Pa
- Temperature resistance: -20°C tot +60°C
- Tested pressure on all UDB-L boxes: 200 mm concrete

Composition

- Material: plastic PP with EPDM sealings
- Standard 8, 16 or 24 connections
- The **UDB-L** repartition box has **UAE75/34** connections as standard, all other flexible ducts can be connected through **UDB-CON-K**
- The **UDB-L** is equipped with multiple inspection hatches

Features and benefits

- Smart inspection
- Maintenance friendly and practical redistribution through included restriction rings (also within renovation)
- Decreased energy consumption and noise production due to lower air resistance
- Limited sound transmission through distribution box and duct system
- No chance on crosstalk due to separate air hoses
- Limited installation height
- Airtight and pull resistant connections thanks to mechanical connections



ublink

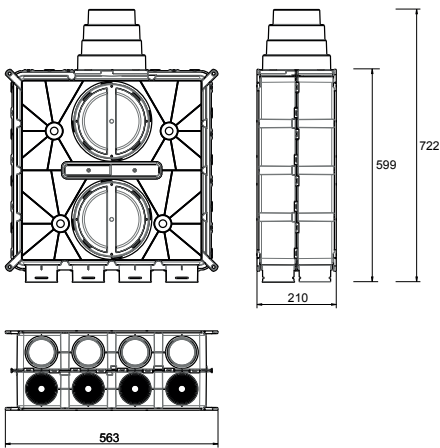
C.03

Synthetic duct and fitting

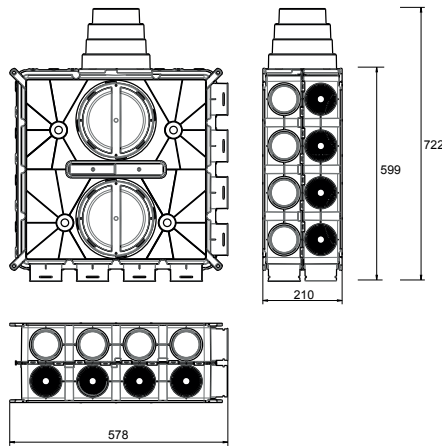
- Quick and easy commissioning
- Easy to clean

| Technical data | |
|----------------|---------|
| Q [m³/h] | ΔP [Pa] |
| 100 | 1 |
| 150 | 1.7 |
| 200 | 2.7 |
| 250 | 4 |
| 300 | 5.7 |
| 350 | 7.6 |
| 400 | 9.9 |
| 450 | 12.4 |

UDB-L 8V180



UDB-L 16V180



UDB-L 24V180

