

## Rectangular ducts type SDR

Rectangular ducts with standard length of 1.5 m, made out of galvanized steel sheet of "Sendzimir" quality.

### Application

- Rectangular ducts type **SDR** are used for air supply and exhaust in ventilation and air conditioning systems

### Material

- Galvanized steel

### Specifications

- Minimum pressure of -750 Pa to obtain class C et D
- Maximum pressure of 2000 Pa to obtain class C et D
- Max temp. of 70°C
- Galvanized steel Z275 with double zinc layer of 275 g/m<sup>2</sup> according EN10.142 und EN 10.143
- Zinc Layer with average thickness of 20µ
- Caution! Due to the fact that rectangular ducts are manufactured in different badges, colour difference can occur
- Standard airtightness class C according to EN 12237 determined by the mounting on the construction site

### Thickness

- 150 - 700 mm: 0,8 mm with profil C20
- 701 - 1000 mm: 0.8 mm with profil C30
- 1001 - 2000 mm: 1 mm with profil C30

### Accessories

- Aluminium tape, type **ALUTAPE 40**, **ALUTAPE 40S PREMIUM** or cold shrinking tape, type **PSB**, type **ASP**
- Sliding cleats, type **SL**
- Screw clamps, type **SKC**
- Gasket tapes, type **GAS**
- Version with airtightness class D available upon request

### Order example

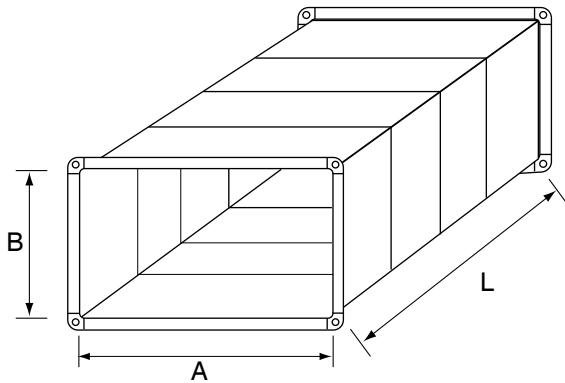
- **SDR, 400 x 250 mm AxB**

Explanation:

**SDR** = Duct type L= 1.5m

**400** = Dimension A

**250** = Dimension B



**Transport**

- Because of the dimensions, the ducts can not be packed for transport.

Dimensions					
SDR / 0 tot 400 Pa					
A [mm]	Thickness [mm]	Profil [mm]	Reinforcement	Clamps	
150 - 700	0.8	20	-	1	
700 - 1000	0.8	30	-	2	
1000 - 1500	1	30	-	2	
1500 - 2000	1	30	1	3	