



## Rectangular vertical bends 45° type BDR45-V

Galvanized steel rectangular bends 45° (Radius R = 150).  
Standard airtightness class C, according to EN 12237. The airtightness class is also determined by the mounting on the construction site.

### Application

- Rectangular bends type **BDR** are used for air supply and exhaust in ventilation and air conditioning systems

### Material

- Galvanized steel

### Composition

- Low pressure ducts of 0 - 400 Pa
- Max temp. of 70°C
- Galvanized steel Z275 with double zinc layer of 275 g/m<sup>2</sup> according EN10.142 und EN 10.143
- Zinc Layer with average thickness of 20μ
- Caution! Due to the fact that rectangular ducts are manufactured in different badges, colour difference can occur

### Thickness

- 150 - 700 mm: 0.8 mm with profil C20
- 701 - 1000 mm: 0.8 mm with profil C30
- 1001 - 2000 mm: 1 mm with profil C30

### Accessories

- Aluminium tape, type **ALUTAPE 40**, **ALUTAPE 40S PREMIUM** or cold shrinking tape, type **PSB** or type **ASP**
- Sliding cleats, type **SL**
- Screw clamps, type **SKC**
- Version with airtightness class C available upon request

**Order example**

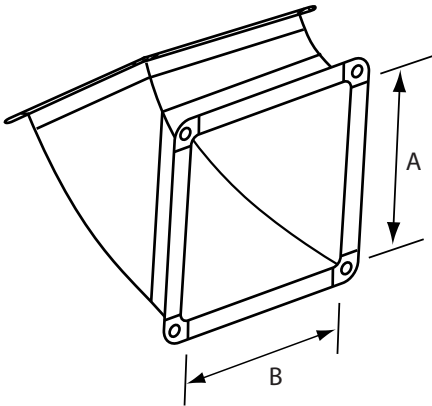
- **BDR45, 400 x 250 mm AxB**

Explanation:

**BDR45** = Bend type 45°

**400** = Dimension A

**250** = Dimension B



**Transport**

- **Because of the dimensions, the ducts can not be packed for transport.**