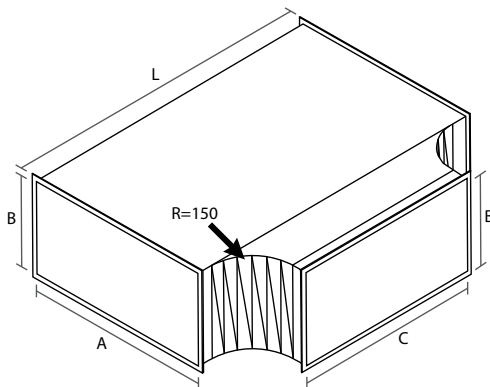


## Rectangular T-pieces type TDR

Galvanized steel symmetrical T-pieces 90°



### Prices

Prices available upon request