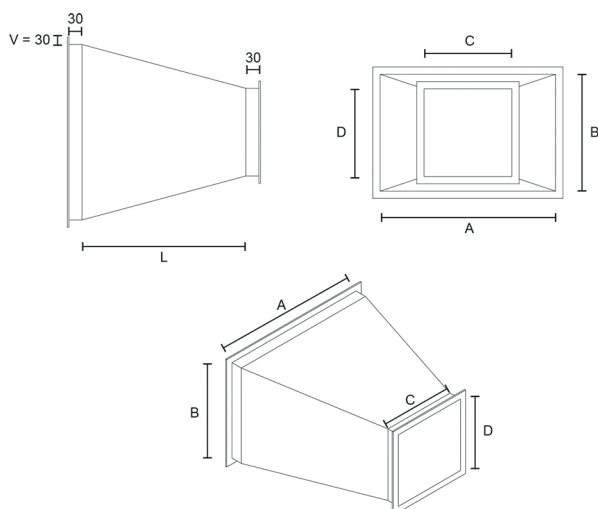




Rectangular reducers type RDR

Rectangular pressed reduction pieces in galvanized steel



Prices

Prices available upon request