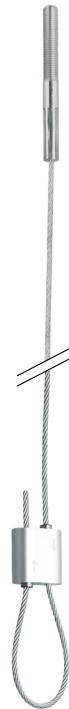


- Quick cable suspension system
- Standard
- Thread end



## Suspension systems with cable type LS DA

Suspension system with thread-ending; delivered with concrete anchors

### Brand

- SUFIX

### Application

- For fast suspension in concrete

### Specifications

- Absorption of vibration of 77% (cfr threaded rods 52%)
- Diameter thread: 1,5 mm
- Breaking force included safety margin is calculated 1 on 5
- With QS1A quick suspension: 30 kg
- Delivered with concrete anchors
- Packaging of 10 cables with 10 QS1A quick locks

### Models

- Available in standard lengths of 2 m and 5 m
- Threads in M6 and M8

### Related versions

- Dia 3 mm: max. 90 kg available on demand
- Also available with stainless steel cable, on demand
- Upon request available in other lengths

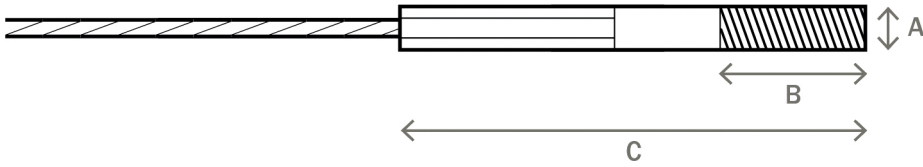
### Accessories

- Wire rope cutter, type **PINC**
- Beam clamp, type **CCL**

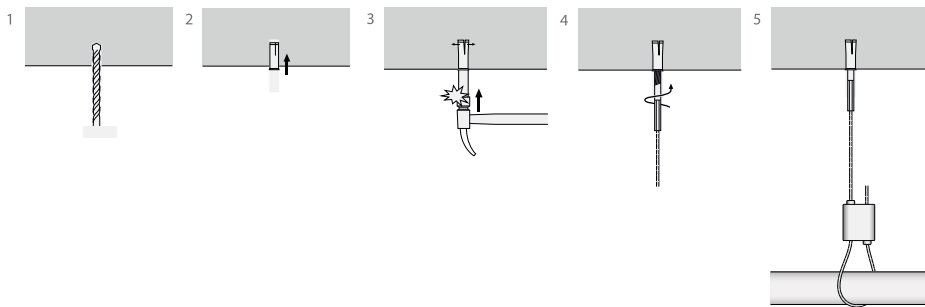
### Text for tender

- Steel galvanized wire cable suspension system with quick locking device **QS1A** for suspension of HVAC devices, ducts, ... The end of the cable is provided with a thread end for fixing into a ceiling concrete anchor or into a beam clamp
- Suffix Type **DA**

Dimensions			
	A [mm]	B [mm]	C [mm]
DA6	M6	20	50
DA8	M8	45	70



### Mounting methods



### Extra photo

