

- Quick cable suspension system
- Standard
- Toggle end finishing



Suspension systems with cable and musqueton type LS HA

Suspension with musqueton fixation

Brand

- SUFIX

Application

- Fixing on eye hook

Specifications

- Absorption of vibration of 77% (cfr threaded rods 52%)
- Diameter thread: 1.5 mm
- Breaking force included safety margin is calculated 1 on 5
- With QS1A quick suspension: 30 kg
- Packaging of 10 cables with 10 QS1A quick locks

Models

- Available in standard lengths of 2 m and 5 m

Related versions

- Dia 3 mm: max. 90 kg available on demand
- Also available with stainless steel cable, on demand
- Upon request available in other lengths

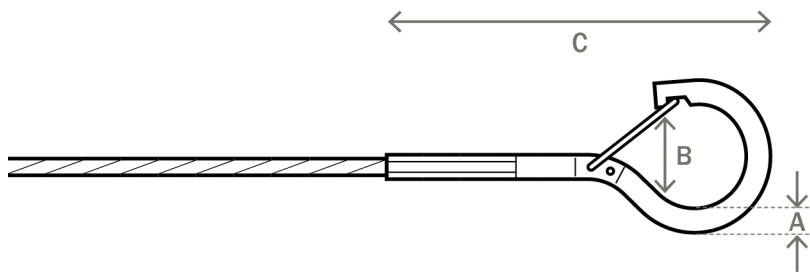
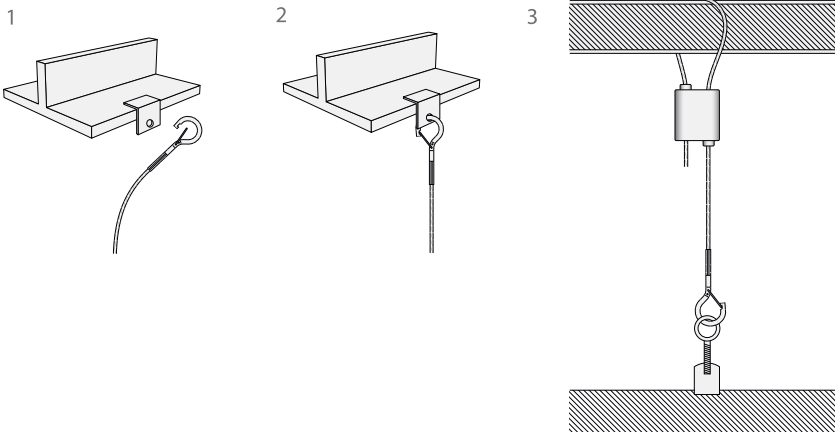
Accessories

- Wire rope cutter, type **PINC**
- Wire anchor, type **HK**

Text for tender

- Steel galvanized wire cable suspension system with quick locking device **QS1A** for suspension of HVAC devices, ducts, ... The end of the cable is provided with a hoop end for fixing to the ceiling or on any upper building part
- Suffix Type **HA**

	Dimensions			
	A [±/mm]	B [±/mm]	C [mm]	D [mm]
HA	6.25	16	75	6

**Mounting methods****Extra photo**