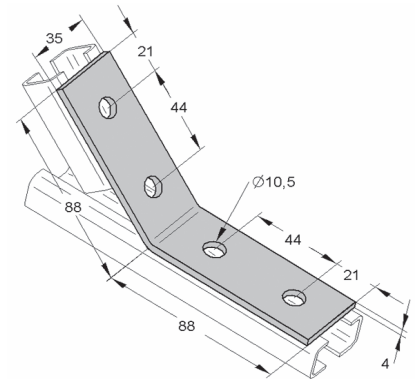


- Connector
- Accessories for mounting rails
- For mounting rails



Flat mounting rail connectors 135° type MR-H135

Flat connector in an angle of 135° for mounting rails type MR to create a wall support

Brand

- Sufix

Application

- For connection 2 mounting rails in an angle of 135°
- To assemble a wall support

Material

- Galvanized steel