



Rail consoles type MRC-GT

Console for fixing or suspension of HVAC units, ducts, airco outdoor units,...

Brand

- SUFIX

Application

- Support or suspension of ventilation boxes
- Suspension of HVAC ducts
- Support of airco outdoor units
- The strength of the rail support always depends of the way of fixing to the wall

Material

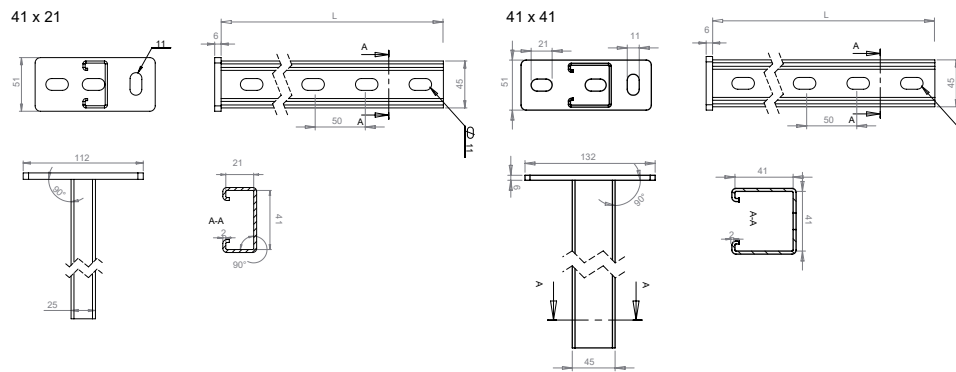
- Galvanized steel

Specifications

- Welded mounting rail
- Oval mounting holes for easy positioning

Accessories

- Extra support bracket, type **MRC-S 45°** (for rail console MRC-GT with length of 750 and 1000 mm you should use MRC-S 45° L=850mm)
- Chemical anchor, type **FIX-O-CHIM**
- Sound insulating rubber inlay for mounting rail, type **MRRI-GT**
- To be mounted with M10 bolts with nut, type **BNU**



Maximum Load		
	F1 [kg]	F2 [kg]
MRC-GT 41x21 L=200 mm	73	148
MRC-GT 41x21 L=300 mm	46	98
MRC-GT 41x41 L=300 mm	159	318
MRC-GT 41x41 L=450 mm	105	211
MRC-GT 41x41 L=600 mm	73	158
MRC-GT 41x41 L=750 mm	46	123
MRC-GT 41x41 L=1000 mm	26	69

F1 = Load in the middle of the railconsole in kg before hogging occurs
 F2 = Load spread over the rail console

