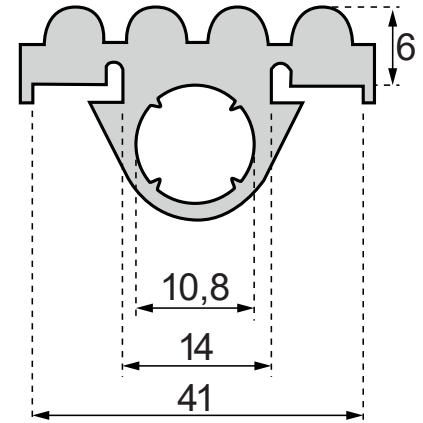


MRRI-GT

- Rubber insert
- Accessories for mounting rails
- For mounting rails MR-GT



Sound insulating rubber inlay for mounting rail type MRRI-GT

Sound insulating rubber insert for mounting rail, type **MR-GT**

Brand

- SUFIX

Application

- To be used for vibration attenuation underneath rectangular duct, ventilation boxes,...
- To fill up the space between two sliding nuts