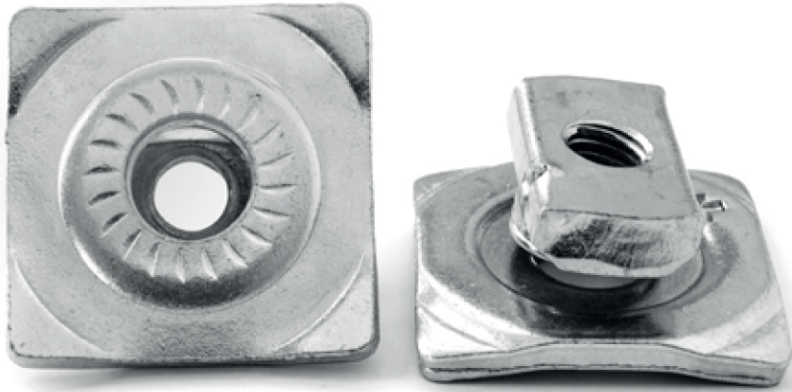


## SLN-GTMR

- Metal sliding nuts
- Accessories for mounting rails
- For mounting rails MR-GT

Sliding nuts for quick mounting type  
SLN-GTMR

Sliding nuts

**Brand**

- SUFIX

**Application**

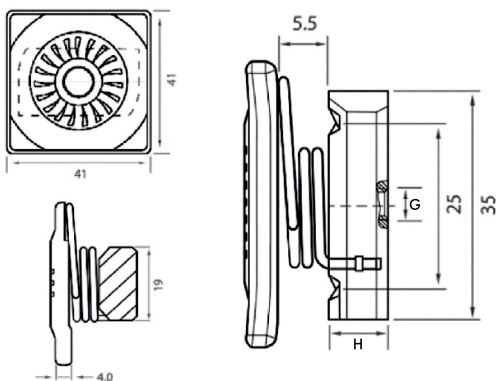
- Metal sliding nut for the mounting of threads type **THA** on rails type **MR-GT**

**Material**

- Galvanized steel

**Models**

- Available in M8 and M10



	Dimensions				
	ØG	H (mm)	F3 [kN]	F4 [kN]	T [Nm]
SLN-GTR M8	M8	6	6	2.4	8.4
SLN-GTR M10	M10	8	7	3.5	17