

- Accessories for mounting rails
- For mounting rails MR-GT



Reinforced corners type RKM-HV

Reinforced corners 90° for mounting rails type **MR-GT**

Brand

- SUFIX

Application

- For assembling 2 mounting rails type **MR-GT** in a corner

Material

- Galvanized steel

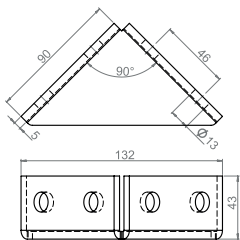
Specifications

- Horizontal, vertical or diagonal assembling possible
- Provides a greater load capacity for the rail constructions
- 4 holes with $\text{Ø}13$ mm

Accessories

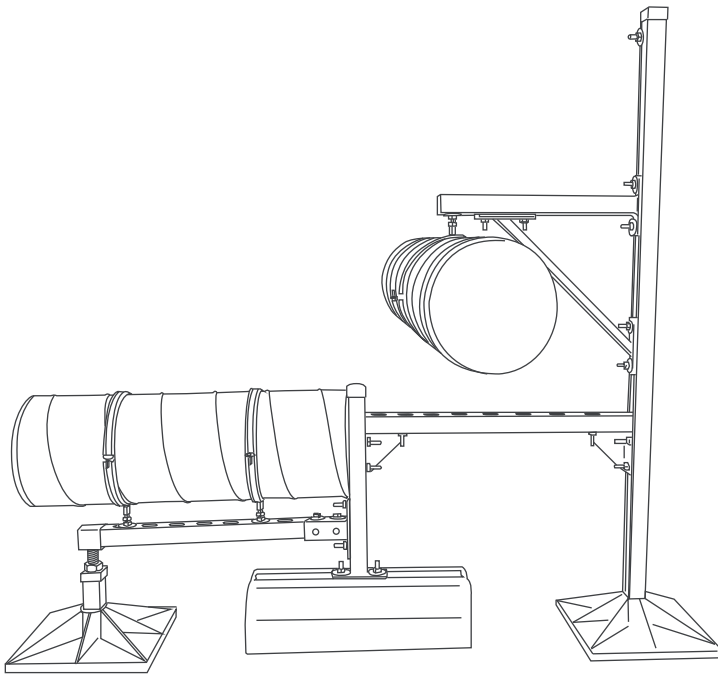
To be mounted with :

- M10 bolts with nut, type **BNU**
- M10 sliding nuts with bolt, type **SLNB-GT**





Mounting example



Mounting example

