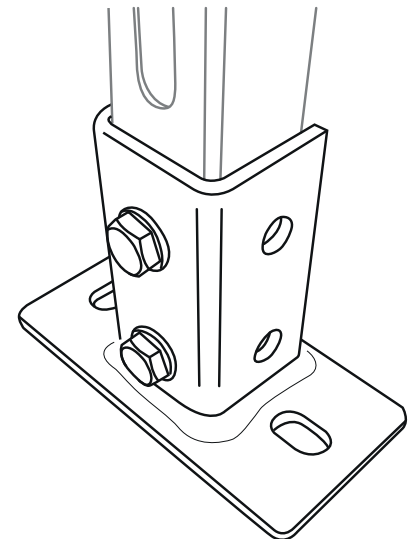
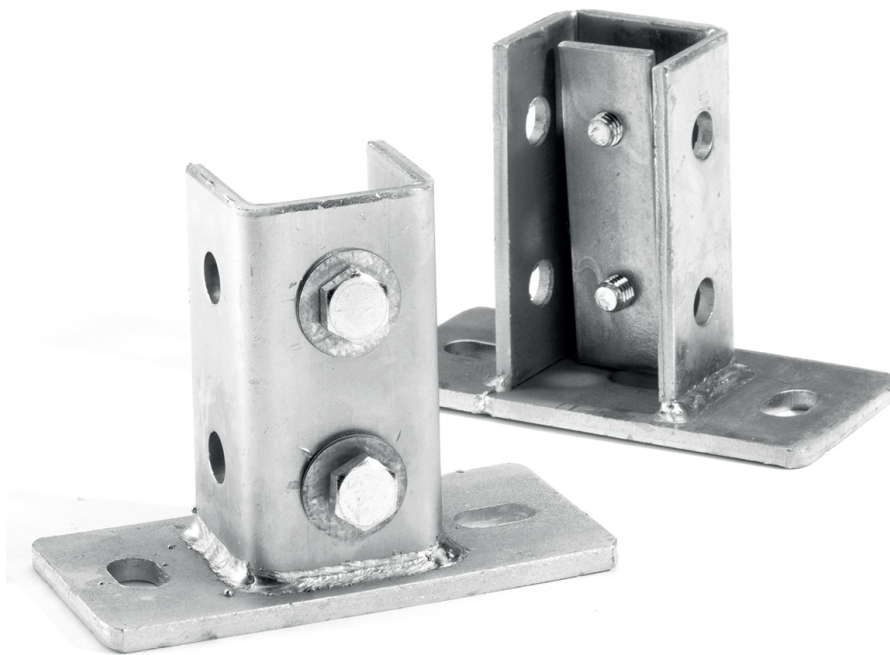


- Console
- Accessories for mounting rails
- For mounting rails MR-GT



Wall console for MR-GT with horizontal mounting plate type PC-GTH

Horizontal wall support for mounting rail type **MR-GT**

Brand

- SUFIX

Application

- For fixing of mounting rail type **MR-GT** to the wall

Material

- Galvanized steel

Specifications

- Wall support with U-profile
- For fixing a mounting rail type **MR-GT** to the wall
- Horizontal plate
- With pre-mounted nuts for easy fixing

Accessories

To be mounted with :

- M10 bolts with nut, type **BNU**
- M10 sliding nuts with bolt, type **SLNB-GT**

