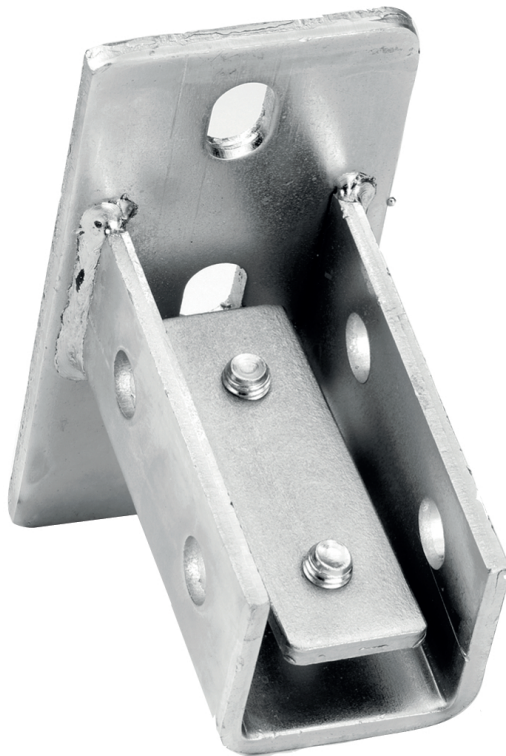


- Console
- Accessories for mounting rails
- For mounting rails MR-GT



## Wall console for MR-GT with vertical mounting plate type PC-GTV

Vertical wall support for mounting rail type **MR-GT**

### Brand

- SUFIX

### Application

- For fixing a mounting rail type **MR-GT** to the wall

### Material

- Galvanized steel

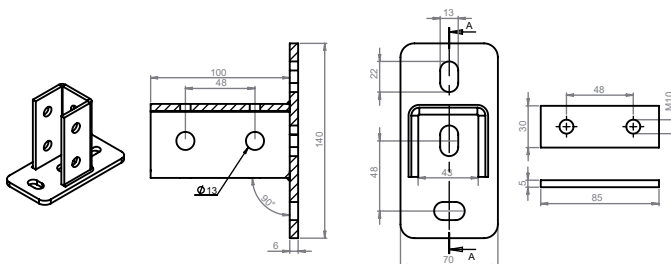
### Specifications

- Wall support with U-profile
- For fixing a mounting rail type **MR-GT** to the wall
- Vertical plate
- With pre-mounted sliding nuts for easy fixing

### Accessories

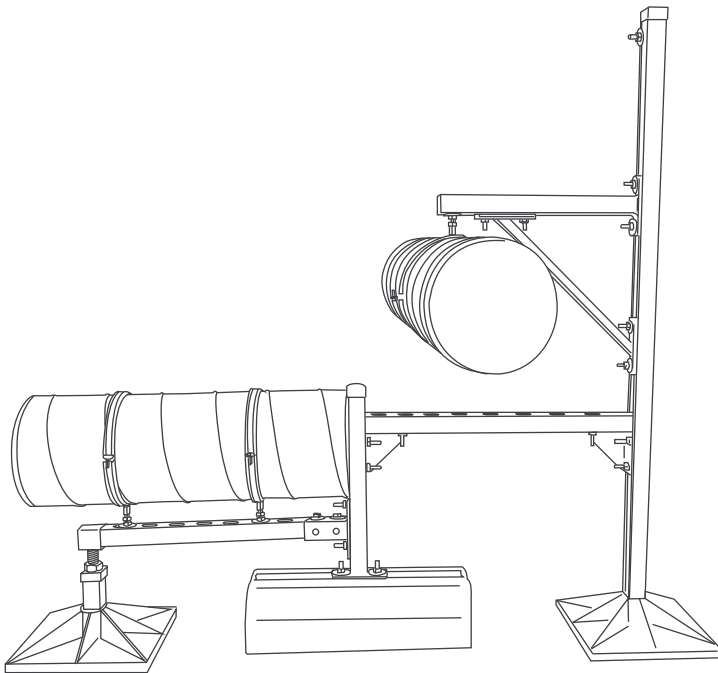
To be mounted with :

- M10 bolts with nut, type **BNU**
- M10 sliding nuts with bolt, type **SLNB-GT**





**Mounting example**



**Mounting example**

