



Extra support for rail console type MRC-S 45°

Extra support for rail console, type **MRC & MRC-GT**

Brand

- SUFIX

Specifications

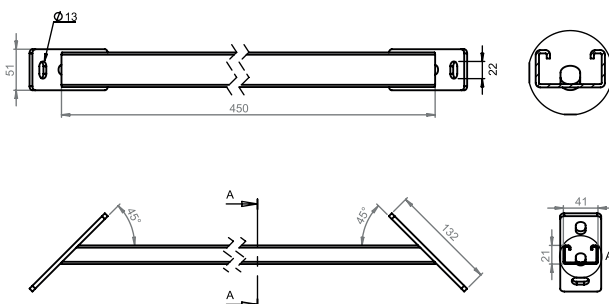
- MRC-S 45° L=450mm is used as extra support for rail console type **MRC & MRC-GT** L=200mm to **MRC-GT** L=600mm
- MRC-S 45° L=850mm is used as extra support for rail console type **MRC-GT** L=750mm and **MRC-GT** L=1000mm

Accessories

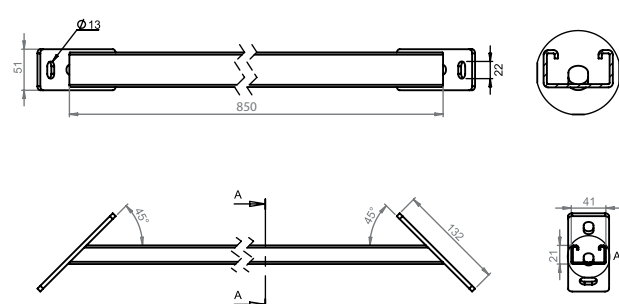
To be mounted with :

- M10 bolts with nut, type **BNU**
- M10 sliding nuts with bolt, type **SLNB-GT**

MRC-S 45° L = 450

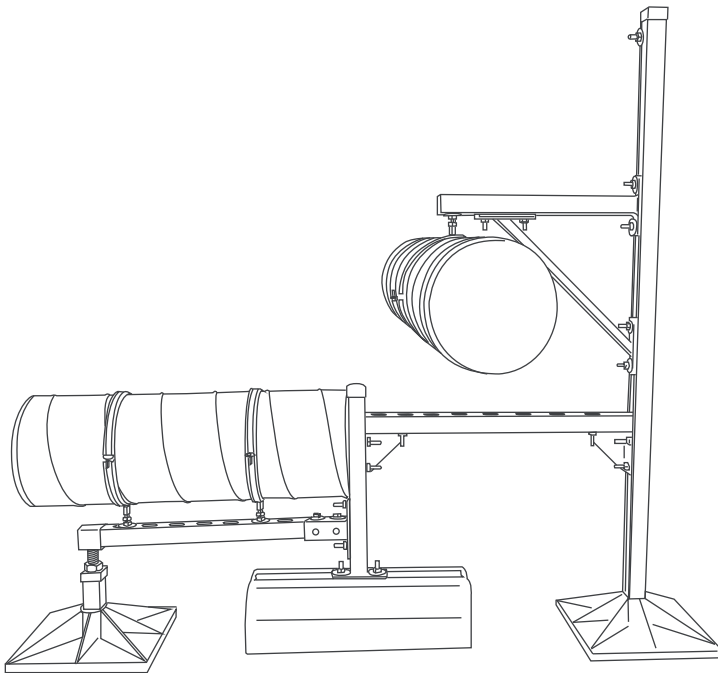


MRC-S 45° L = 850





Mounting example



Mounting example

