

Corners for profiles class D type SFX

Corners for duct profiles **KPL D 20 and 30**

Brand

- SUFIX

Application

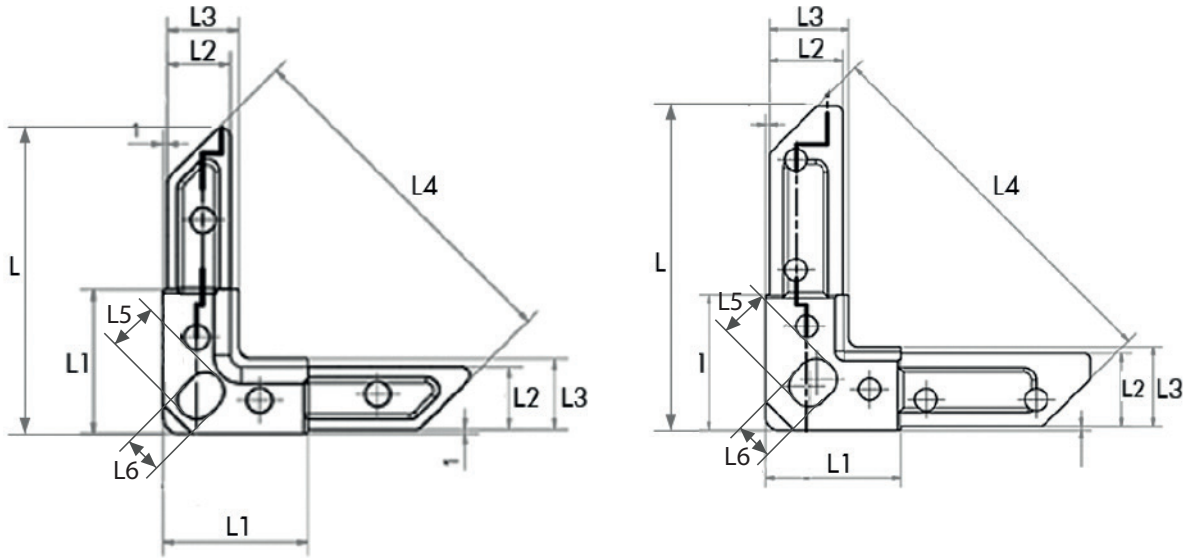
- To be fixed on a duct profiles

Material

- In galvanized steel

Models

- Available in different widths: 20 mm or 30 mm



Dimensions							
Type	L [mm]	L1 [mm]	L2 [mm]	L3 [mm]	L4 [mm]	L5 [mm]	L6 [mm]
SFX 20/3	73	34,5	15	17	85	9	12
SFX 30/3	103	43	23,2	25,3	123	13	16