



## Flat oval sandwich access doors type ADAR

Non insulated access door for rectangular duct

### Brand

- SUFIX

### Application

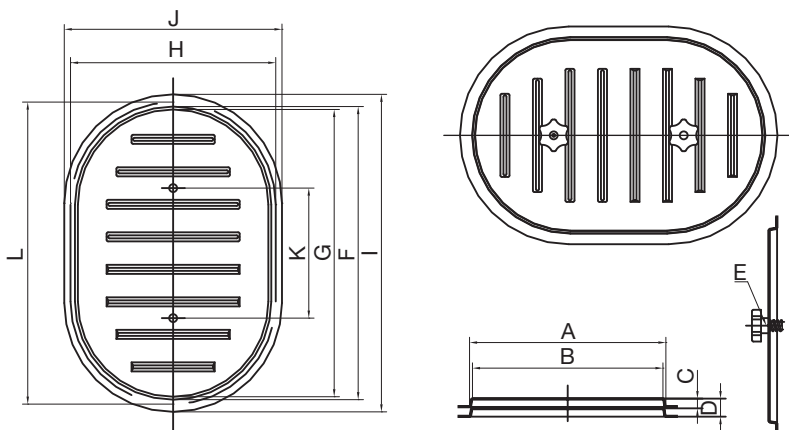
- To give easy access to rectangular duct

### Material

- Galvanized
- Airtight sealing on the inner part of the sandwich door

### Specifications

- Sandwich-type
- Template for cutting included
- Airtight upto 2000 Pa in overpressure and 750 Pa in underpressure
- Oval shape





## Duct accessories

Dimensions													
	L x H [mm]	A [mm]	B [mm]	C [mm]	D [mm]	E [mm]	F [mm]	G [mm]	H [mm]	I [mm]	J [mm]	K [mm]	L [mm]
ADAR-180	180 x 80	74	57.50	4.8	12.3	M8x50	166	150	180	196.8	102.7	100	80
ADAR-250	250 x 150	150	133	6.8	14.3	M8x50	246	230	250	274	186.5	95	150
ADAR-300	300 x 200	201	185	6.8	14.6	M8x50	302	283	300	328.5	228	134.5	200
ADAR-400	400 x 300	290	273	7.5	17.5	M10x50	389	373	400	414	313.5	172	300