



Access doors for circular ducts type RPDR

Access doors for spiral ducts

Brand

- SUFIX

Application

- For inspection and maintenance of circular ventilation ducts

Material

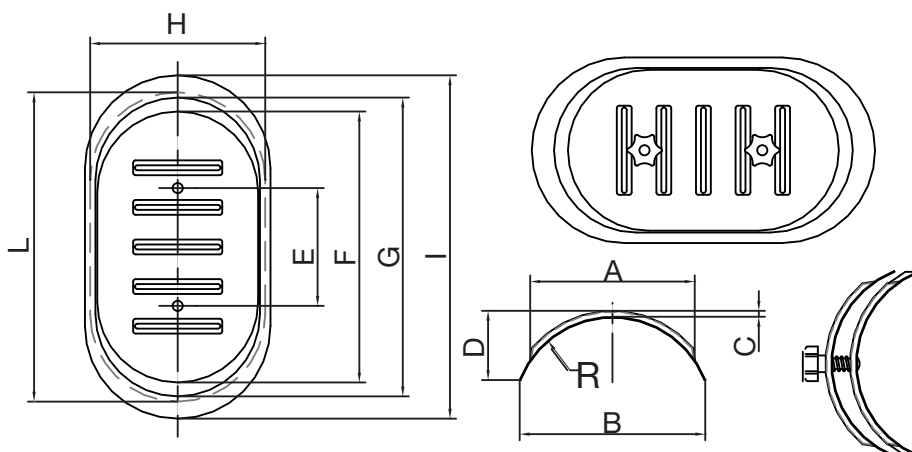
- Galvanized steel
- Airtight sealing on the inner part of the sandwich door

Specifications

- Conical spring design which enables the two piece door to perform as a single unit
- Template for cutting included
- Airtight until 2000 Pa in overpressure and 750 Pa in underpressure

Text for tender

- The inspection doors shall be of the curved type provided with hand knobs and conical spring design. Closed cell neoprene gasket for air tightness. They shall meet the HVCA DW 44 requirements regarding air leakage.
- ATC
- Type **RPDR**





Duct accessories

Dimensions										
	L x H [mm]	A [mm]	B [mm]	R [mm]	C [mm]	D [mm]	E [mm]	F [mm]	G [mm]	I [mm]
RPDR-A10	180 X 80	78	86.5	50	4.8	26.8	100	153.5	180	199
RPDR-B16	250 X 150	133	150	80	4.8	50.2	95.2	219	241.5	277.5
RPDR-B20	250 X 150	140	160.5	100	5	43	95.2	219	241.5	277.5
RPDR-B25	250 X 150	140.5	168	125	6.8	37.8	95.2	219	241.5	277.5
RPDR-B31	250 X 150	144	172.5	157.5	6.5	31.7	95.2	219	241.5	277.5
RPDR-B35	250 X 150	143	175.5	175	6.2	28.7	95.2	219	241.5	277.5
RPDR-B40	250 X 150	145	176.5	200	6.8	26	95.2	219	241.5	277.5
RPDR-C56	400 X 300	266	296	272.5	7.5	51.2	172	365	386	420
RPDR-C63	400 X 300	269	299	307.5	7.5	46.3	172	365	386	420
RPDR-C71/80*	400 X 300	272	302	347.5	7.5	42	172	365	386	420

* niet meer verkrijgbaar / n'est plus disponible / no longer available