



E.01

Fire dampers

**CR120+ONE T
24**

- Fire dampers
- Circular
- EI120S
- Motorized
- ONE 24V
- Ø 100 - 315



Motorized circular fire dampers EI120S type CR120+ONE T 24

Circular fire dampers with a fire resistance of 120 minutes. When the temperature in the damper rises above 72 °C the thermo-electrical link will get triggered and the damper will close. When closed, the expanding material around the fireblade will swell and assure a fire and air-tight seal against hot air and smoke. The tunnel is made out of galvanized steel. The **CR120 + ONE T 24** fire dampers have a automatic operating mechanism with actuator, with indication of the blade position. An end and begin of range switch is included within the actuator.

Application

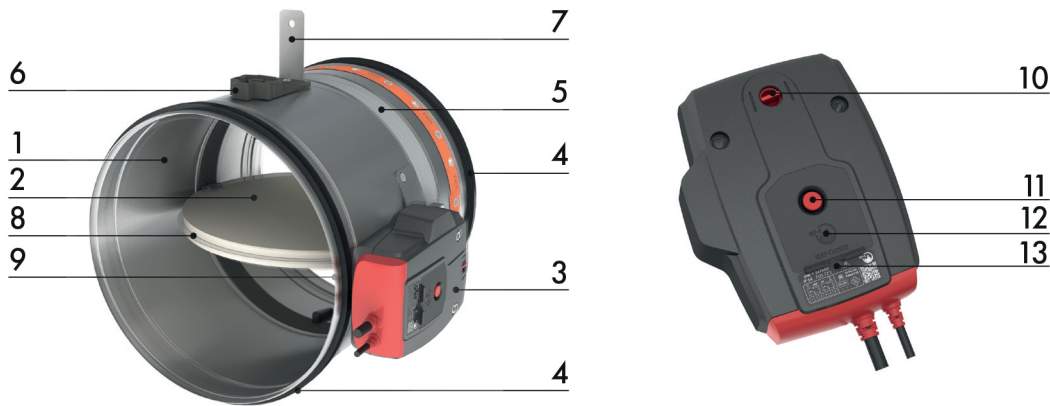
- Fire compartmentation
- To close and seal off ventilation ducts in case of fire
- For air temperatures of -10°C up to temperature of the thermo-electric fuse
- For air with RV 0-96%
- Range of Ø100 up to Ø315 mm
- To be mounted horizontally or vertically

Material

- Galvanized steel



Construction



Composition

- Galvanized steel tunnel
- Fibersilicate fireproof blade
- Intumescent strip
- Actuator **ONE T 24 FDCU** with thermo-electrical fuse

- 1. Refractory casing (made out of galvanised steel)
- 2. Damper blade
- 3. Operating mechanism
- 4. Rubber sealing ring
- 5. Intumescent strip
- 6. Mounting plate thermo-electric fuse
- 7. Positioning plate
- 8. Sealing ring damper blade
- 9. Fusible link
- 10. Blade position indicator
- 11. Unlocking button
- 12. Battery compartment to reset motor (9V)
- 13. LED

Mounting

- To be inserted in fire resistant walls or floors and to be fixed according to the mounting instruction delivered with the valves.
- To be connected with round air ducts
- To be electrically wired to the fire detection system or building system

Certification

- Classified EI120(v_e,h₀ i<->o)S at 500Pa according EN 13501-3 in rigid wall and rigid floor.
- Classified EI60(v_e i<->o)S at 500Pa according EN 13501-3 in flexible wall.
- Certified with test report Efectis 09-A-087 / EFR-19-005412 or WFRG 16127B
- Airtight EN 1751 class C
- CE marked

Accessories

- Fire resistant plaster, type **BP**

Other available products

- For bigger sizes see **CR2 + ONE T 24**

Text for tender

- The fire dampers shall be of the round type with a fire resistance of 120 minutes, certified according to EN13501-3 . They will consist of a galvanized steel tunnel and fireproof fiber silicate valve. The control mechanism will be automatically operated by means of an actuator and shall have a blade position indicator and thermo-electrical link of 72 °C
- type **CR120 + ONE T 24**



Order example

■ **CR120 + ONE T 24, 160**

Explanation

CR120 = Round fire damper with fire resistance of 120 minutes

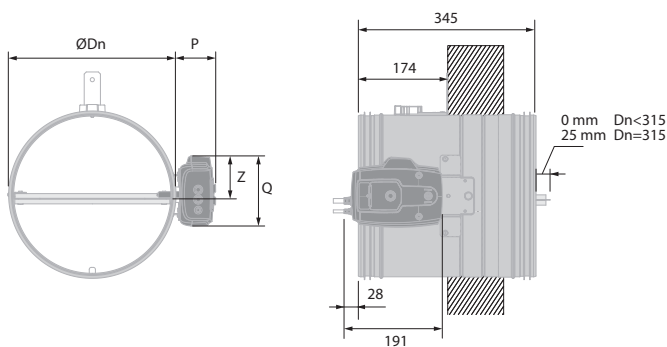
ONE T 24 = Actuator 24V with thermo-electrical fuse

160 = Connection diameter

		Quick selection					
Dia	v	3	4	5	6	7	8
100	Qv	85	113	141	170	198	226
	veff	5	6.7	8.3	10	11.7	13.4
	Ps	5	8	13	19	26	33
	Lw	41	45	47	50	52	54
125	Qv	132	177	221	265	309	353
	veff	4.5	6	7.5	9	10.5	12
	Ps	4	7	11	16	21	28
	Lw	38	43	46	48	51	52
150	Qv	191	254	318	382	445	509
	veff	4.1	5.5	6.9	8.3	9.7	11
	Ps	3	6	9	13	18	23
	Lw	38	42	45	47	50	52
160	Qv	217	289	362	434	506	579
	veff	4	5.4	6.7	8.1	9.4	10.8
	Ps	3	5	8	12	16	22
	Lw	37	41	44	46	49	51
180	Qv	275	366	458	549	641	732
	veff	3.9	5.2	6.5	7.8	9.1	10.4
	Ps	3	5	7	10	14	18
	Lw	37	41	44	46	48	51
200	Qv	339	452	565	678	791	904
	veff	3.8	5.1	6.3	7.6	8.9	10.1
	Ps	2	4	6	9	12	16
	Lw	37	41	43	46	48	50
250	Qv	530	707	883	1060	1236	1413
	veff	3.6	4.8	6	7.2	8.4	9.6
	Ps	2	3	4	6	9	11
	Lw	36	40	43	45	47	49
300	Qv	763	1017	1272	1526	1780	2035
	veff	3.5	4.7	5.8	7	8.2	9.3
	Ps	1	2	3	4	6	7
	Lw	35	39	43	44	46	47
315	Qv	841	1122	1402	1682	1963	2243
	veff	3.5	4.6	5.8	7	8.1	9.3
	Ps	1	2	3	4	5	7
	Lw	35	39	43	44	46	47

Symbols and specifications

- v = Air velocity in the duct in m/s
- Qv = Air volume in m³/h
- v_{eff} = Effective velocity through the damper in m/s
- Ps = Static pressure in Pa
- Lw = Acoustic power in dB(A)
- Dia = Duct diameter in mm



Dimensions			
	P	Q	Z
CR120+ONE T	80	136	75



Electrical connection

