



E.01

Fire dampers

CR120+BFLT24

- Fire dampers
- Circular
- EI120S
- Motorized
- BELIMO 24V
- Ø 100 - 315



Motorized circular fire dampers EI120S type CR120+BFLT24

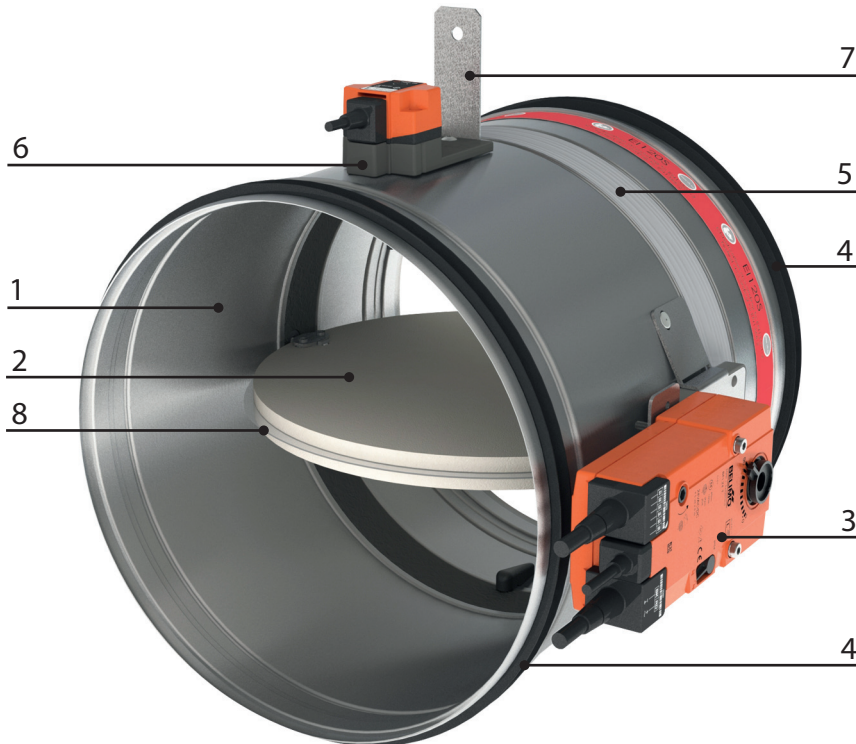
Circular fire dampers with a fire resistance of 120 minutes. When the temperature of the thermo-electric fuse in the damper rises above 72 °C the damper will close. When closed, the expanding material around the fireblade will assure a fire and air-tight seal against hot air and smoke. The tunnel is made out of galvanized steel. The **CR120 + BFLT24** fire dampers have a automatic operating mechanism with actuator, with indication of the blade position. An end and begin of range switch is included within the actuator.

Application

- Fire compartmentation
- To close and seal off ventilation ducts in case of fire
- For air temperatures of -10°C up to temperature of the thermo-electric fuse
- For air with RV 0-96%
- Range of Ø100 up to Ø315 mm
- For Ø355 up to Ø630 see type CR2
- To be mounted horizontally or vertically

Material

- Galvanized steel

Construction

Composition

- Galvanized steel tunnel
- Fibersilicate fireproof blade
- Intumescent strip
- Belimo **BFLT24** Actuator with thermo-electrical fuse

- 1. Refractory casing made of galvanised steel
- 2. Damper blade 20 mm
- 3. Operating mechanism
- 4. Rubber sealing ring
- 5. Intumescent strip
- 6. Mounting plate thermo-electric fuse
- 7. Positioning plate
- 8. Sealing ring damper blade

Mounting

- To be inserted in fire resistant walls or floors and to be fixed according to the mounting instruction delivered with the valves.
- To be connected with round air ducts
- To be electrically wired to the fire detection system or building system

Certification

- Classified EI120(v_e, h_o i<->o)S at 500Pa according EN 13501-3 in rigid wall and rigid floor
- Classified EI60(v_e i<->o)S at 500Pa according EN 13501-3 in flexible wall
- Certified with test report Efectis 09-A-087 / EFR-19-005412 or WFRG 16127
- Airtight EN 1751 class C
- CE marked

Accessories

- Fire resistant plaster, type **BP**

Other available products

- For bigger sizes see **CR2 + BFLT/BFNT 24**



Text for tender

- The fire dampers shall be of the round type with a fire resistance of 120 minutes, certified according to EN13501-3 . They will consist of a galvanized steel tunnel and fireproof fiber silicate valve. The control mechanism will be automatically operated by means of an actuator and shall have a blade position indicator and thermo-electrical link of 72 °C
- type **CR120 + BFLT24**

Order example

- **CR120 + BFLT24, 160**

Explanation

CR120 = Round fire damper with fire resistance of 120 minutes

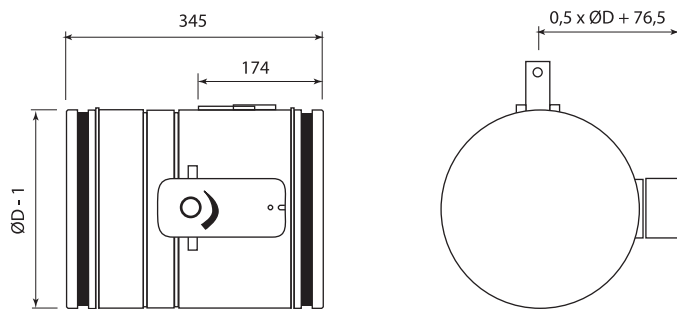
BFLT24 = Actuator 24V with thermo-electrical fuse

160 = Connection diameter

Quick selection							
Dia	v	3	4	5	6	7	8
100	Q	85	113	141	170	198	226
	Vk	5	6.7	8.3	10	11.7	13.4
	Ps	5	8	13	19	26	33
	Lw(A)	41	45	47	50	52	54
125	Q	132	177	221	265	309	353
	Vk	4.5	6	7.5	9	10.5	12
	Ps	4	7	11	16	21	28
	Lw(A)	38	43	46	48	51	52
160	Q	217	289	362	434	506	579
	Vk	4	5.4	6.7	8.1	9.4	10.8
	Ps	3	5	8	12	16	22
	Lw(A)	37	41	44	46	49	51
200	Q	339	452	565	678	791	904
	Vk	3.8	5.1	6.3	7.6	8.9	10.1
	Ps	2	4	6	9	12	16
	Lw(A)	37	41	43	46	48	50
250	Q	530	707	883	1060	1236	1413
	Vk	3.6	4.8	6	7.2	8.4	9.6
	Ps	2	3	4	6	9	11
	Lw(A)	36	40	43	45	47	49
315	Q	841	1122	1402	1682	1963	2243
	Vk	3.5	4.6	5.8	7	8.1	9.3
	Ps	1	2	3	4	5	7
	Lw(A)	35	39	43	44	46	47

Symbols and specifications

- v = Air velocity in the duct in m/s
- Q = Air volume in m³/h
- Vk = Effective velocity through the damper in m/s
- Ps = Static pressure in Pa
- Lw(A) = Acoustic power in dB(A)
- Dia = Duct diameter in mm



CR120+BFLT24	Dimensions			
	ØD [mm]	ØD-1 [mm]	1/2ØD+76.5 [mm]	Ak [m²]
100	100	99	126.5	0.0047
125	125	124	139	0.0082
160	160	159	156.5	0.0149
200	200	199	176.5	0.0248
250	250	249	201.5	0.0407
315	315	314	234	0.0672



Electrical connection

