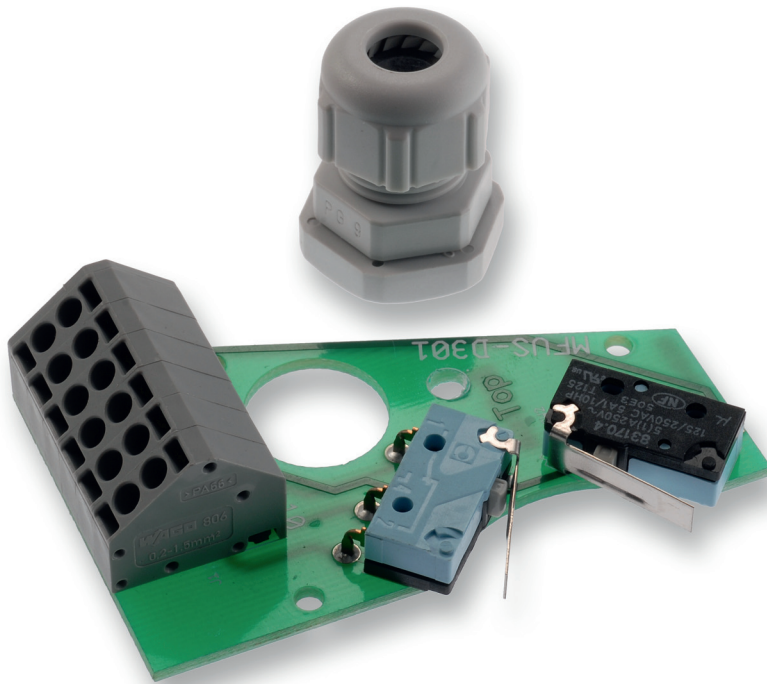




FDCU MFUS

- Accessories for fire dampers
- Start/end of range switch
- For CR60/120 and CU-LT with MFUS(P)



Begin/end of range switch for MFUS type FDCU MFUS

Begin and end of range switch (KIT) for CR60, CR120 and CU-LT with MFUS(P) mechanism (Available in KIT or premounted when ordered with fire dampers)

Order example

■ **KIT FDCU MFUS**

Explanation

KIT FDCU MFUS = End of range switch for MFUS fire damper mechanism (delivered separately)

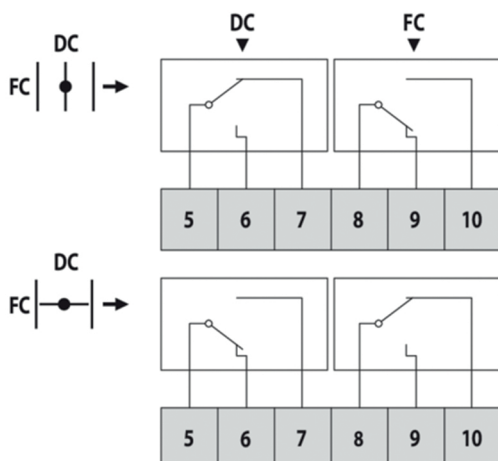
Specifications

Position switches : 1 mA...1A DC 5V...AC 48V

Ambient temperature : -30°C up to 50°C

Maintenance : Maintenance free

Electrical connection





DC = Switch open position fire damper
FC = Switch closed position fire damper