

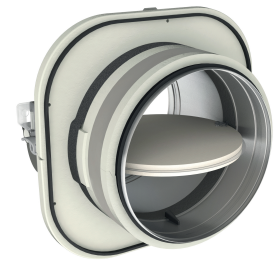
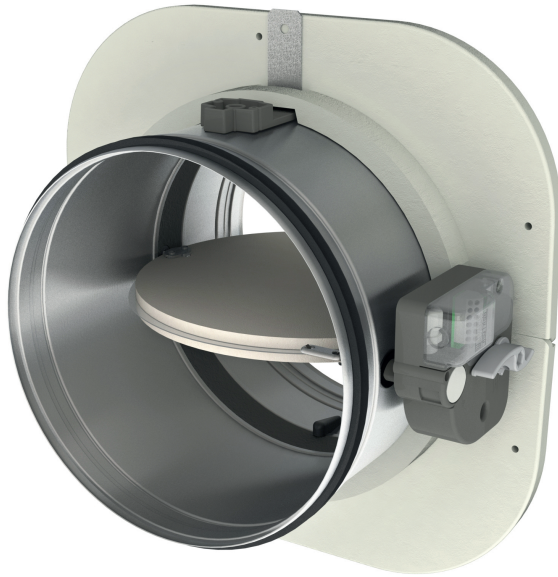


E.01

Fire dampers

CR60-1S+MFUS

- Surface mounted fire dampers
- Circular
- EI60S
- With fuse 72°C
- Ø 100 - 315

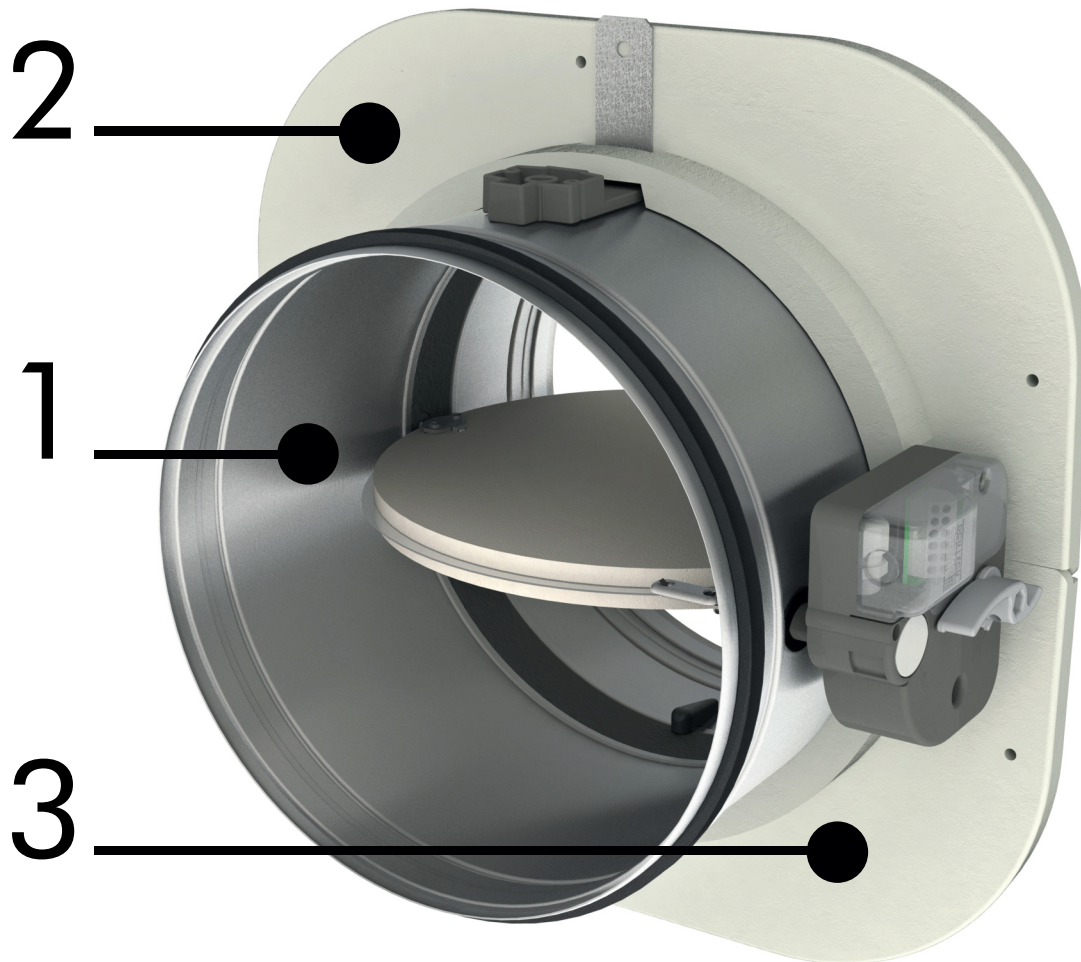


Surface mounted circular fire dampers EI60S type CR60-1S+MFUS

Surface mounted circular fire dampers with a fire resistance of 1 hour. The surface mounting ensures a fast (dry) installation. When the temperature in the damper rises above 72 °C the fusible link will break and the damper will close. When closed, the expanding material around the fireblade will swell and assure a fire and air-tight seal against hot air and smoke. The tunnel is made out of galvanized steel. The **CR60-1S+MFUS** fire dampers have a manual operating mechanism with indication of the blade position. Optionally, an end and begin of range switch **FDCU MFUS** can be added to the mechanism. The operating mechanism can be removed easily, for inspection purposes or for replacing the fusible link.

Application

- Fire compartmentation
- To close and seal off ventilation ducts in case of fire
- For air temperatures of -10°C up to temperature of fusible link
- Range of Ø100 up to Ø315 mm
- To be mounted horizontally or vertically
- For indoor use

Construction

Composition

- Galvanized steel tunnel with rubber duct sealing
- Plaster mounting collar
- Fibersilicate fireproof blade
- Intumescent strip
- Manual control mechanism MFUS with fusible link 72 °C

- 1. fire damper
- 2. upper mounting collar
- 3. lower mounting collar
- 4. graphite strip
- 5. sealing cold smoke
- 6. tape

Mounting

- Suitable for surface-mount in rigid wall, rigid floor and light wall (metal stud gypsum plasterboard wall) and to be fixed according to the mounting instruction delivered with the valves.
- To be connected with round air ducts



Certification

- Classified EI60(v_e,h_o i<->o)S at 500Pa according EN 13501-3 in rigid wall and rigid floor.
- Classified EI60(v_e i<->o)S at 500Pa according EN 13501-3 in flexible wall.
- Certified with classification report
- Airtight EN 1751 class C
- CE marked

Accessories

- End- and begin of range switch, type **FDCU MFUS**

Text for tender

- The fire dampers shall be of the round type with a fire resistance of 60 minutes, certified according to EN13501-3 . They will consist of a galvanized steel tunnel with mounting collar for fast (dry) installation and fireproof fiber silicate valve. The control mechanism will be manually operated and shall have a blade position indicator and fusible link of 72 °C
- **CAIROX** type **CR60 + MFUS**

Order example

- **CR60-1S + MFUS, 160**

Explanation

CR60-1S = Round fire damper

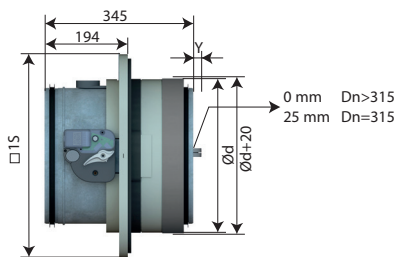
MFUS = Mechanism

160 = Connection diameter

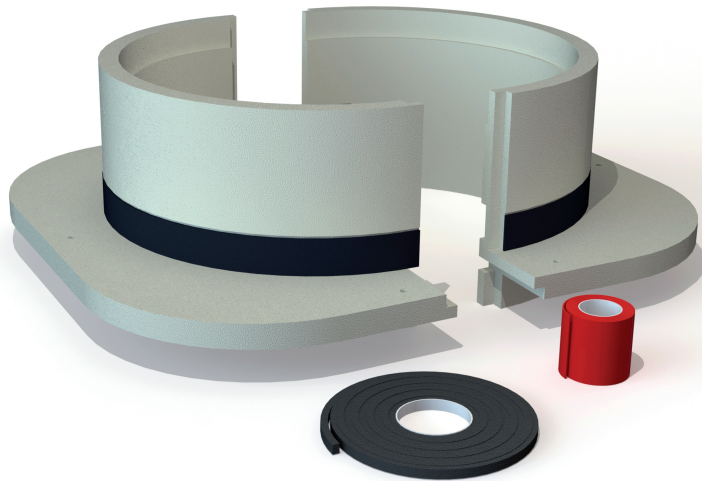
Quick selection							
Dia	v	3	4	5	6	7	8
100	Q	85	113	141	170	198	226
	Vk	5	6.7	8.3	10	11.7	13.4
	Ps	5	8	13	19	26	33
	Lw(A)	41	45	47	50	52	54
125	Q	132	177	221	265	309	353
	Vk	4.5	6	7.5	9	10.5	12
	Ps	4	7	11	16	21	28
	Lw(A)	38	43	46	48	51	52
160	Q	217	289	362	434	506	579
	Vk	4	5.4	6.7	8.1	9.4	10.8
	Ps	3	5	8	12	16	22
	Lw(A)	37	41	44	46	49	51
200	Q	339	452	565	678	791	904
	Vk	3.8	5.1	6.3	7.6	8.9	10.1
	Ps	2	4	6	9	12	16
	Lw(A)	37	41	43	46	48	50
250	Q	530	707	883	1060	1236	1413
	Vk	3.6	4.8	6	7.2	8.4	9.6
	Ps	2	3	4	6	9	11
	Lw	36	40	43	45	47	49
315	Q	841	1122	1402	1682	1963	2243
	Vk	3.5	4.6	5.8	7	8.1	9.3
	Ps	1	2	3	4	5	7
	Lw(A)	35	39	43	44	46	47

Symbols and specifications

- v = Air velocity in the duct in m/s
- Q = Air volume in m³/h
- Vk = Effective velocity through the damper in m/s
- Ps = Static pressure in Pa
- Lw(A) = Acoustic power in dB(A)
- Dia = Duct diameter in mm



CR60-1S +MFUS	Dimensions				
	1S [mm]	Ød [mm]	Ød +20 [mm]	y [mm]	Ak [m ²]
100	279	160	180	0	0.0047
125	299	180	200	0	0.0082
160	339	220	240	0	0.0149
200	374	255	275	0	0.0248
250	419	300	320	0	0.0407
315	474	355	375	25	0.0672

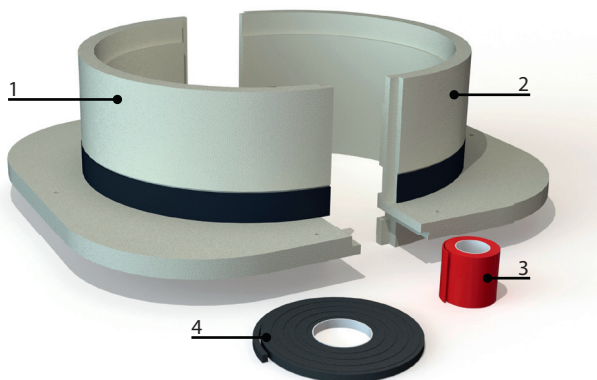


Mounting Plate for CR60 fire dampers type CR-1s

Fast fire resistant finishing kit for fire dampers type CR60.
Can be supplied in kit or ordered premounted on fire dampers

Material

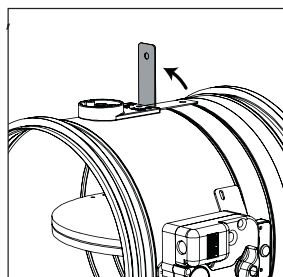
- Promatech fire resistant plate material



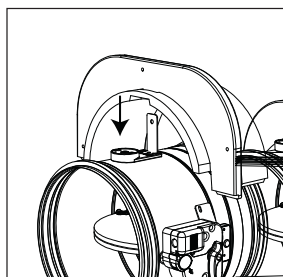
Composition

- 1. Gypsum Scale top + intumescent material
- 2. Gypsum Scale under + intumescent material
- 3. Adhesive tape
- 4. EPDM foam

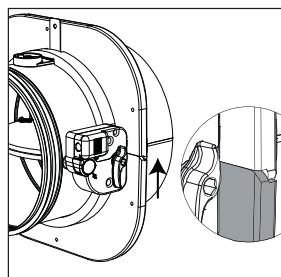
Mounting



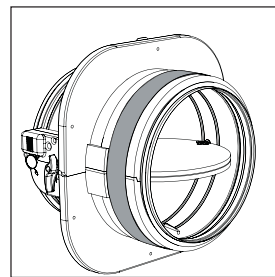
1.



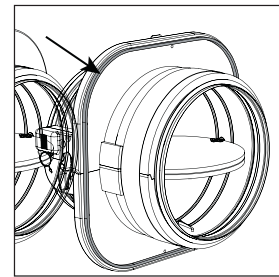
2.



3.



4.



5.