



E.01

Fire dampers

**CR60+BFLT24**

- Fire dampers
- Circular
- EI60S
- Motorized
- BELIMO 24V
- Ø 100 - 315



## Motorized circular fire dampers EI60S type CR60+BFLT24

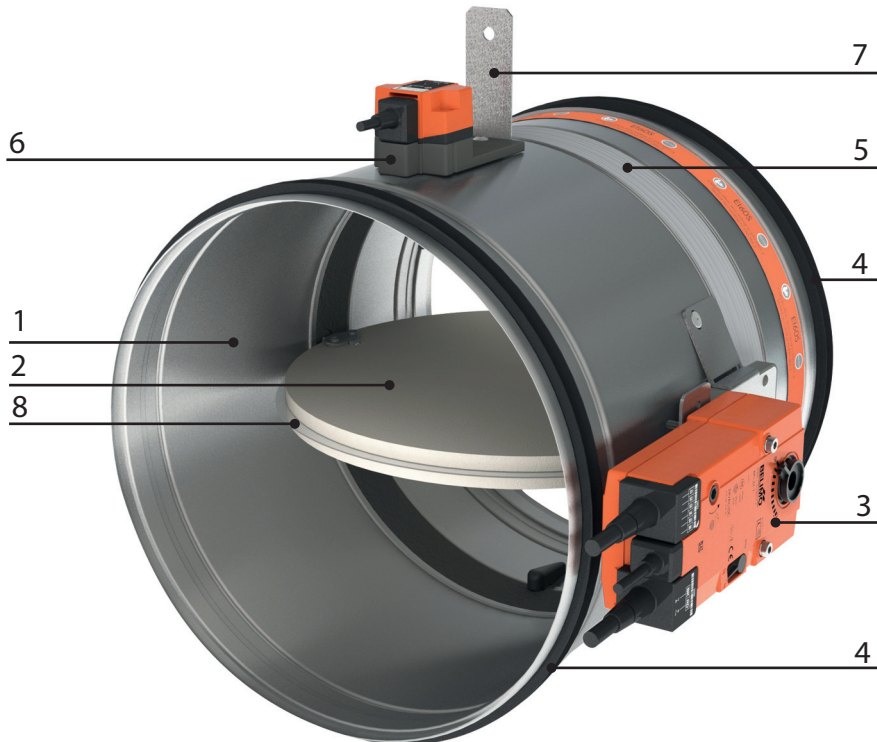
Circular fire dampers with a fire resistance of 60 minutes. When the temperature in the damper rises above 72 °C the thermo-electrical link will get triggered and the damper will close. When closed, the expanding material around the fireblade will swell and assure a fire and air-tight seal against hot air and smoke. The tunnel is made out of galvanized steel. The **CR60 + BFLT24** fire dampers have a automatic operating mechanism with actuator, with indication of the blade position. An end and begin of range switch is included within the actuator.

### Application

- Fire compartmentation
- To close and seal off ventilation ducts in case of fire
- For air temperatures of -10°C up to temperature of the thermo-electric fuse
- For air with RV 0-96%
- Range of Ø100 up to Ø315 mm
- To be mounted horizontally or vertically

### Material

- Galvanized steel

**Construction**

**Composition**

- Galvanized steel tunnel
- Fibersilicate fireproof blade
- Intumescent strip
- Belimo **BFLT24** Actuator with thermo-electrical fuse

- 1. Refractory casing (made out of galvanised steel)
- 2. Damper blade
- 3. Operating mechanism
- 4. Rubber sealing ring
- 5. Intumescent strip
- 6. Mounting plate thermo-electric fuse
- 7. Positioning plate
- 8. Sealing ring damper blade
- 9. Product identification

**Mounting**

- To be inserted in fire resistant walls or floors and to be fixed according to the mounting instruction delivered with the valves.
- To be connected with round air ducts
- To be electrically wired to the fire detection system or building system

**Certification**

- Classified EI90(v<sub>e</sub>,h<sub>o</sub> i<->o)S at 300Pa according EN 13501-3 in rigid wall and rigid floor.
- Classified EI60(v<sub>e</sub> i<->o)S at 500Pa according EN 13501-3 in flexible wall.
- Certified with test report Efectis 07-A-057 / EFR-19-005411 or WFRG 16126
- Airtight EN 1751 class C
- CE marked

**Accessories**

- Fire resistant plaster, type **BP**

**Other available products**

- For bigger sizes see **CR2 + BFLT/BFNT 24**



**Text for tender**

- The fire dampers shall be of the round type with a fire resistance of 60 minutes, certified according to EN13501-3 . They will consist of a galvanized steel tunnel and fireproof fiber silicate valve. The control mechanism will be automatically operated by means of an actuator and shall have a blade position indicator and thermo-electrical link of 72 °C
- type **CR60 + BFLT 24**

**Order example**

- **CR60 + BFLT24, 160**

Explanation

**CR60** = Round fire damper with fire resistance of 60 minutes

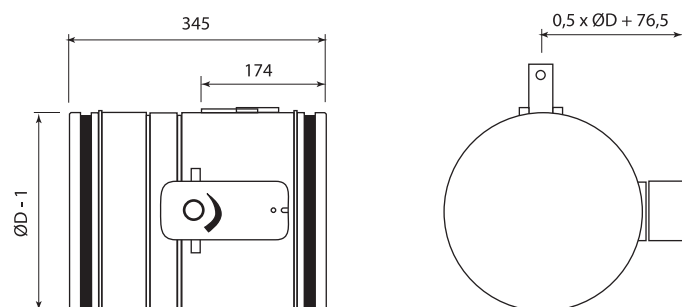
**BFLT24** = Actuator 24V with thermo-electrical fuse

**160** = Connection diameter

		Quick selection					
Dia	v	3	4	5	6	7	8
100	Qv	85	113	141	170	198	226
	veff	5	6.7	8.3	10	11.7	13.4
	Ps	5	8	13	19	26	33
	Lw	41	45	47	50	52	54
125	Qv	132	177	221	265	309	353
	veff	4.5	6	7.5	9	10.5	12
	Ps	4	7	11	16	21	28
	Lw	38	43	46	48	51	52
150	Qv	191	254	318	382	445	509
	veff	4.1	5.5	6.9	8.3	9.7	11
	Ps	3	6	9	13	18	23
	Lw	38	42	45	47	50	52
160	Qv	217	289	362	434	506	579
	veff	4	5.4	6.7	8.1	9.4	10.8
	Ps	3	5	8	12	16	22
	Lw	37	41	44	46	49	51
180	Qv	275	366	458	549	641	732
	veff	3.9	5.2	6.5	7.8	9.1	10.4
	Ps	3	5	7	10	14	18
	Lw	37	41	44	46	48	51
200	Qv	339	452	565	678	791	904
	veff	3.8	5.1	6.3	7.6	8.9	10.1
	Ps	2	4	6	9	12	16
	Lw	37	41	43	46	48	50
250	Qv	530	707	883	1060	1236	1413
	veff	3.6	4.8	6	7.2	8.4	9.6
	Ps	2	3	4	6	9	11
	Lw	36	40	43	45	47	49
300	Qv	763	1017	1272	1526	1780	2035
	veff	3.5	4.7	5.8	7	8.2	9.3
	Ps	1	2	3	4	6	7
	Lw	35	39	43	44	46	47
315	Qv	841	1122	1402	1682	1963	2243
	veff	3.5	4.6	5.8	7	8.1	9.3
	Ps	1	2	3	4	5	7
	Lw	35	39	43	44	46	47

**Symbols and specifications**

- v = Air velocity in the duct in m/s
- Qv = Air volume in m³/h
- v<sub>eff</sub> = Effective velocity through the damper in m/s
- Ps = Static pressure in Pa
- Lw = Acoustic power in dB(A)
- Dia = Duct diameter in mm



CR60+BFLT24	Dimensions			
	ØD [mm]	ØD-1 [mm]	1/2ØD+76.5 [mm]	Ak [m²]
100	100	99	126.5	0.0047
125	125	124	139	0.0082
150	150	149	151.5	0.0128
160	160	159	156.5	0.0149
180	180	179	166.5	0.0195
200	200	199	176.5	0.0248
250	250	249	201.5	0.0407
300	300	299	226.5	0.0605
315	315	314	234	0.0672



Electrical connection

