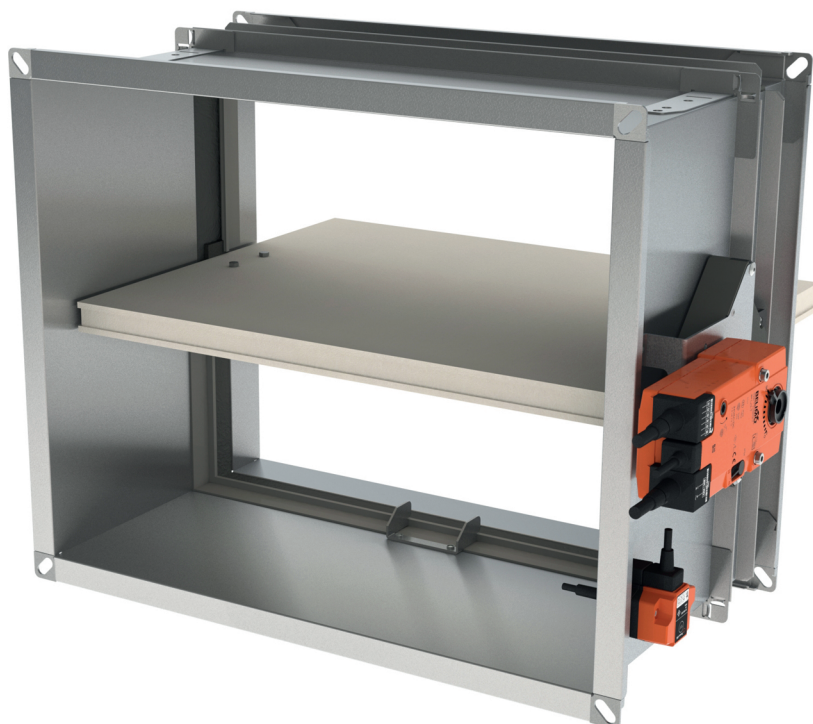


**CU-LT+BFLT24**

- Fire dampers
- Rectangular
- EI120S
- Motorized
- BELIMO 24V
- LxH: 200x100 – 800x600



Motorized rectangular fire dampers EI120S type CU-LT+BFLT24

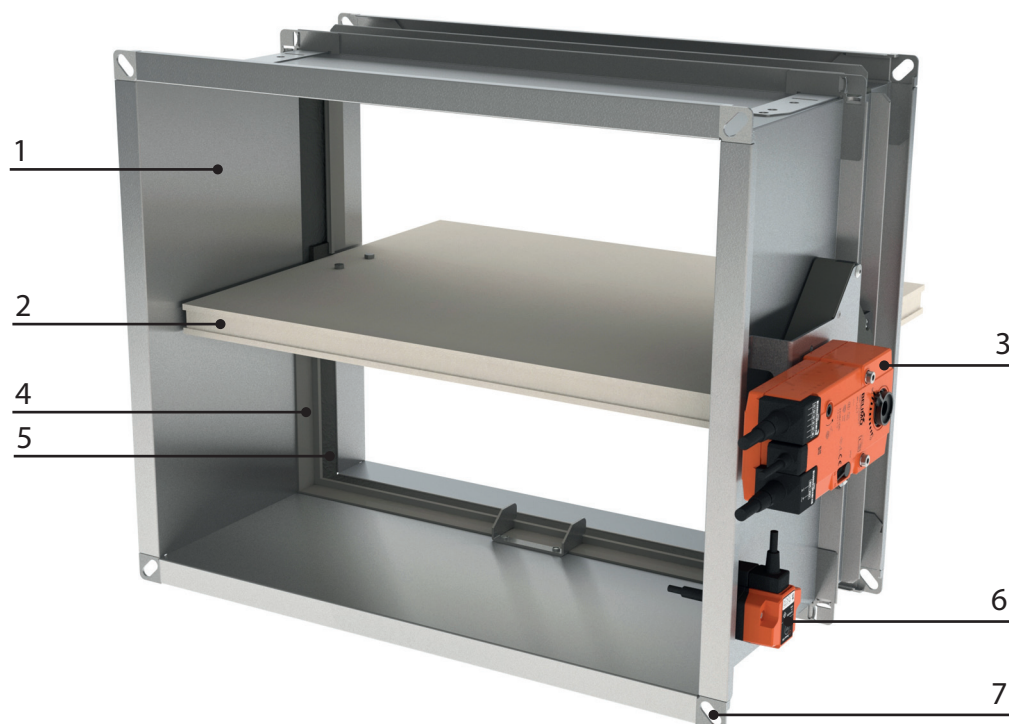
Rectangular fire dampers with a fire resistance of 120 minutes. When the temperature in the damper rises above 70 °C the thermo-electrical link will break and the damper will close. When closed, the expanding material around the fireblade will swell and assure a fire and smoke-tight seal against hot air and smoke. The thin blade is made out of fire resistant calciumsilicate and ensures a relatively high net opening in the damper. The **CU-LT+BFLT24** fire dampers are 24V Belimo actuator operated with indication of the blade position. The actuators are connected to a thermo-electrical fuse and equipped with begin-and end of range switch. The mechanism is easily removable for inspection or repair purposes. For mounting in flexible wall, option +IFW is required. This is a mounting frame that is pre-mounted onto the damper, and ensures its good working when mounted in a flexible wall.

Application

- Fire compartmentation
- To close and seal off ventilation ducts in case of fire
- Range from 200 to 800 mm in width and 100 to 600 mm in height

Material

- Calciumsilicate blade
- Steel tunnel

Construction

Composition

- Steel housing
- Calciumsilicate fireproof blade
- Swelling seal around the blade
- Pre-mounted Belimo BFLT24 actuator with thermal fuse (mounted at same side as the actuator when $H > 300\text{mm}$; mounted at opposite side when $H \leq 300\text{mm}$ and $L < 200\text{mm}$ or mounted underneath when $H \leq 300\text{mm}$ and $L > 200\text{mm}$)
- Standard equipped with duct connection flanges of 20mm
- *Please note the height of the mechanism at 100 mm height of the damper (see drawing)*

- 1. Refractory casing made of galvanised steel
- 2. Damper blade
- 3. Operating mechanism
- 4. Cold sealing
- 5. Intumescent strip
- 6. Thermo-electric fuse
- 7. Connection frame PG20

Mounting

- To be inserted in fire resistant walls or floors and to be fixed with fireproof mortar
- To be connected with rectangular air ducts by flanges of 20 mm
- Flanges have oval holes at the corners of 8,5 x 16 mm
- to be mounted according to the delivered mounting instructions with the valve

Certification

- Classified EI90(v_e, h_o i \leftrightarrow o)S at 300Pa according EN 13501-3 in rigid wall and rigid floor fixed with mortar
- Classified EI120(v_e, h_o i \leftrightarrow o)S at 500Pa according EN 13501-3 in rigid wall and rigid floor fixed with plaster
- Classified EI90(v_e i \leftrightarrow o)S at 300Pa according EN 13501-3 in flexible wall with IFW
- Certified with test report Efectis 09-A-159 / EFR-19-005414 or WFRG 16129
- Airtight EN 1751 class C
- CE marked

Accessories

- Build-in kit for flexible wall, type IFW

Other available products

- For bigger sizes see **CU2 + BFT24**



Fire dampers

Text for tender

- The fire dampers shall be of the rectangular type with a fire resistance of 120 minutes, certified according to EN 13501-3. They will consist of a fireproof Steel tunnel and calciumsilicate valve. The control mechanism will be automatically operated by 24V actuator and shall have a blade position indicator and thermo-electrical link of 70 °C
- CAIROX type **CU-LT + BFLT24**

Order example

- **CU-LT+IFW+BFLT24, 200, 100**

Explanation

CU-LT = Rectangular fire damper

IFW = Mountingframe (only required when mounting in flexible wall)

BFLT24 = Mechanism

200 = Length damper

100 = Height damper



Electrical connection

