



Fire resistant air exhaust valves EI60S type DVS-B+K

White fire resistant ventilation exhaust valves with thermal fuse of 70°C and fire resistance class EI60(v_eo->i)S

Application

- For ventilation purposes and fire compartmentation in walls with fire resistance of 60 minutes

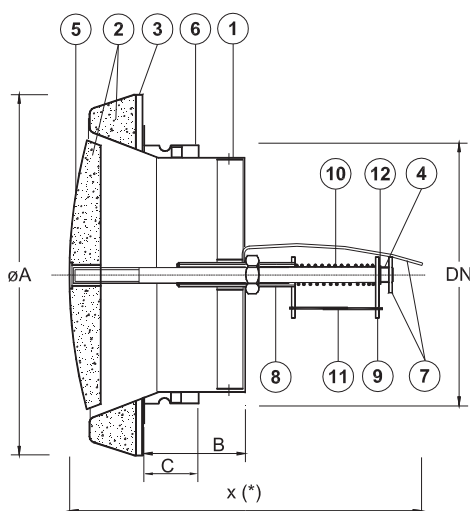
Material

- Steel

Colour

- White, RAL 9010

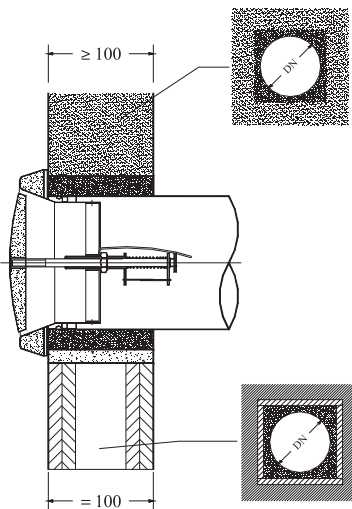
Construction



Composition

1. Steel body with white powder coated finish
2. Moulded fireproof heat-resistant material
3. Disc in ceramic felt
4. Threaded rod
5. Central core in powder coated steel
6. Standard mounting frame in galvanized steel
7. Locking device
8. Threaded support with fuse
9. Fuse-hook
10. Return spring in steel
11. Fuse 70°C
12. Locking clips

x: total length when locked (after exposure to heat)



Mounting

- The valve should be mounted in a brick wall or partition gypsum plaster, according to the following methodology:
 - Make a reservation DN + 40 mm in the wall crossing. Ø particular case of a partition gypsum: spare a square booking dimension (DN 70) x (DN 70) therein a trimmer with a headband Promatect'H thickness 15mm.
 - Fix the pipe in DN standardized circular, to the mounting flange.
 - Position and the wedge together in the center of the book so that the folded edge of the flange comes into bare outer face of the receiving valve.
 - Grouting periphery coated with gypsum mixed with sand.
 - Adjusting the opening of the movable part of the valve (see graphs)
 - Install the valve set in the standby position, in its collar by rotating 1/4 turn: to build on the outer edge of the body: do not put stress on the central core!

Certification

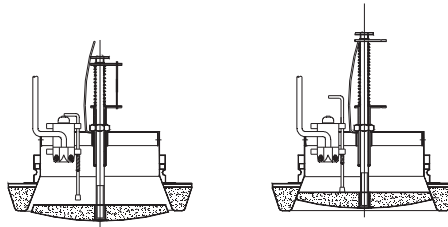
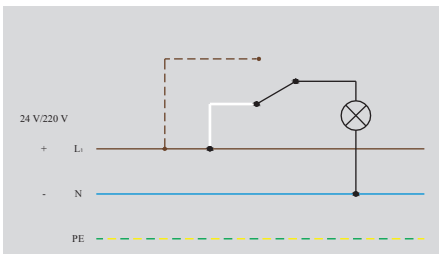
- CE Certified under the name BCF-2-EI60S
- CE certified 1812-CPD-1039
- Conforme according EN15650-2010
- Classification EI60(v_eo->i)S
- Service pressure 300Pa
- Fuse tested according ISO 10294-4

Accessories

- Mountingframe (included)
- End of range switch, type **FDC DVS-B+K**



■ FDC DVS-B+K



Text for tender

- The ventilation valves will be fire resistant EI60(v_eo->i)S with thermal fuse of 70° and equipped with mountingframe.
- Finished white, RAL 9010
- ATC Type **DVS-B+K**

Order example

- **DVS-B + K, 125**

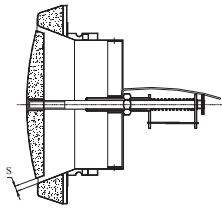
Explanation

DVS-B+K = Type of fire resistant valve

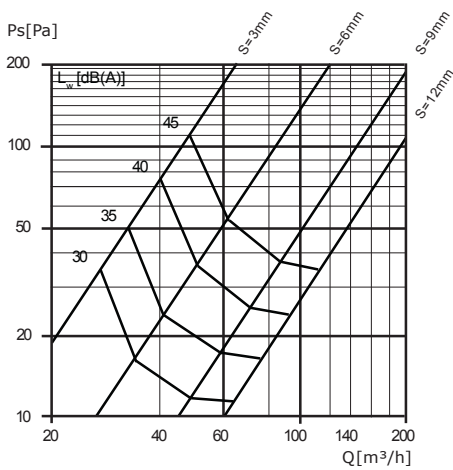
125 = Connection diameter

Q	DVS-B+K	Quick selection							
		100				125			
		3	6	9	12	3	6	9	12
30	s								
	Ps	40	12						
40	Lw(A)	32	25						
	Ps	75	25			45			
60	Lw(A)	40	25			27			
	Ps		50	18		100	30		
80	Lw(A)		44	35		40	25		
	Ps			32	18		51		
100	Lw(A)			43	36		34		
	Ps			50	28		80	35	
120	Lw(A)			50	42		42	32	
	Ps				40			51	24
140	Lw(A)				48			39	32
	Ps							70	30
180	Lw(A)							48	36
	Ps								50
	Lw(A)								45

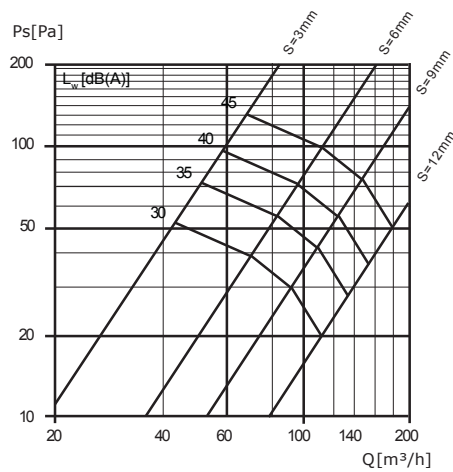
Selection graphs



Ø 100 - Extraction



Ø 125 - Extraction



Symbols and specifications

- Q = Air volume in m³/h
- Ps = Static pressure in Pa
- s = Distance between the central cone and the body of the valve in mm
- Lw(A) = Acoustic power in dB(A)
- 100, 125 = Duct connection in mm

DVS-B+K	Dimensions				
	ØA [mm]	B [mm]	C [mm]	x [mm]	ØDN [mm]
100	154	37	35	150	99
125	182	37	35	150	124