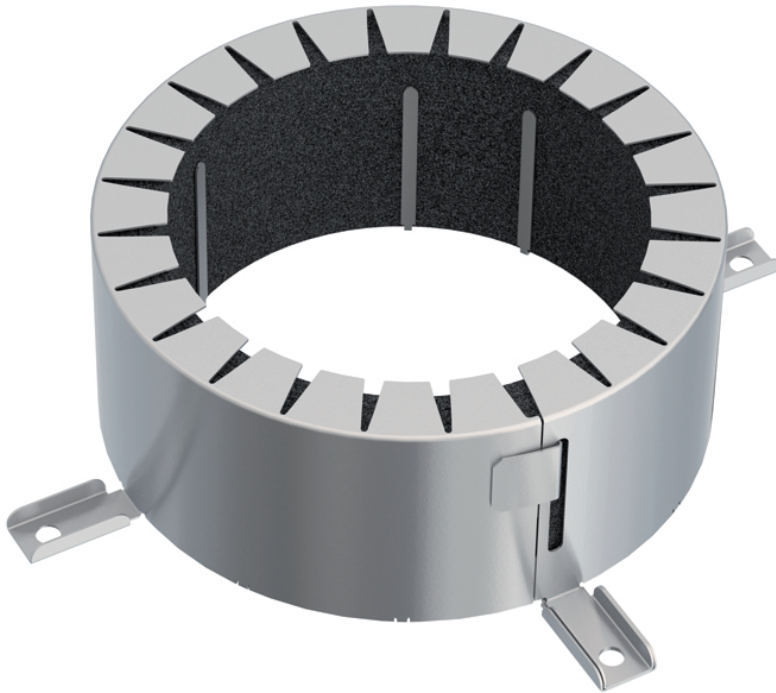


**MG2-A U**

- Fire resistant collars for sanitary pipes in PVC, PP, PE and ABS
- Rf2h - EI 120-U/U
- EN1366-3
- Surface mounted



Fire resistant collars type MG2-A U

Fire resistant surface mounted collars **MG2-A U** can be installed around ventilation/sanitary plastic ducts in PVC, PE and PP passing through a construction element, in order to prevent the propagation of fire. 100% free area is guaranteed. Always to be placed at both sides of a wall in exception of passing through the floor.

Application

- Fire compartmentation for sanitary and plastic ventilation ducts
- Fire resistant up to 2 hours with rigid walls, rigid floors and flexible walls

Material

- Steel body with swelling fire resistant material

Mounting

- To be mounted when passing through fire resistant construction elements
- Passages through the walls require a fire resistant collar on each side of the wall
- Passages through the floors require 1 fire resistant collar on the lower side of the floor
- Number of fixation points:
 - Ø32-75: 2 fixation points
 - Ø80-110: 3 fixation points
 - Ø125-160: 4 fixation points
- No additional sealing of the ducting required

Certification

- Tested according European standard EN 1366-3
- Classification EI120-U/U on concrete wall $\geq 100\text{mm}$ or concrete floor $\geq 150\text{mm}$
- Classification EI120-U/U on flexible walls, metal studs gypsum type F (EN 520) $\geq 100\text{mm}$

Text for tender

- The MG2-A U surface-mounted fire resistant collar is suitable for ventilated evacuation pipes (PVC, HDPE, PP, ABS). It has been tested according to EN1366-3 and is fire resistant up to 120 minutes in rigid walls and floors and in flexible walls. In case of a vertical wall, a collar is installed on both sides of the wall. In case of a floor, a single MG2-A U is enough on the lower side of the floor. When combustible pipes burn away, openings appear in the floor or walls through

which fire can spread. Fire resistant collars prevent propagation of fire by expanding through heat, thus closing off the openings and making them fire resistant.

- installation U/U, U/C, C/C, C/U (uncapped-uncapped, uncapped-capped, capped-capped, capped-uncapped).
- water- and frost-resistant
- no specific tools, no sealing required
- CAIROX type **MG2-A U**

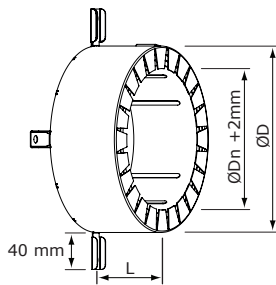
Order example

- **MG2-A U, 110**

Explanation

MG2-A U = Type of fire resistant collar

110 = Duct diameter



	Dimensions		
	L [mm]	Ød [mm]	ØD [mm]
MG2-A U 32	60	32	62.2
MG2-A U 40	60	40	70.6
MG2-A U 50	60	50	80.6
MG2-A U 56	60	56	86.6
MG2-A U 63	60	63	93.6
MG2-A U 75	60	75	105.6
MG2-A U 80	60	80	110.6
MG2-A U 90	60	90	120.6
MG2-A U 100	60	100	130.6
MG2-A U 110	60	110	140.6
MG2-A U 125	80	125	174.6
MG2-A U 140	80	140	189.6
MG2-A U 160	80	160	209.6

Mounting instruction

