

- Duct fans
- Circular
- Plastic
- Centrifugal fan
- AC 230 V



Duct fans type ERM-EX

Ductfan with increased security ATEX

Application

- The particular construction allows the installation in hazardous environment as battery rooms, dyeing-plants, laboratories

Composition

- Housing and helico-centrifugal impeller are made of high quality sparkproof and antistatic plastic material, resistant to the impacts.
- Supply: 230Vac 1ph.
- Increased safety motor EEx-e II 2G T4 for type 18 and T3 for types 22 and 25. Suitable for ATEX zone 1 and 2.
- Insulation class B - Protection IP54.
- Electric connections enclosed in an external, explosion proof terminal box.
- Robust motor with ball bearings, maintenance-free.
- The motor is not speed controllable.

Accessories

- Console type **FUM**

Text for tender

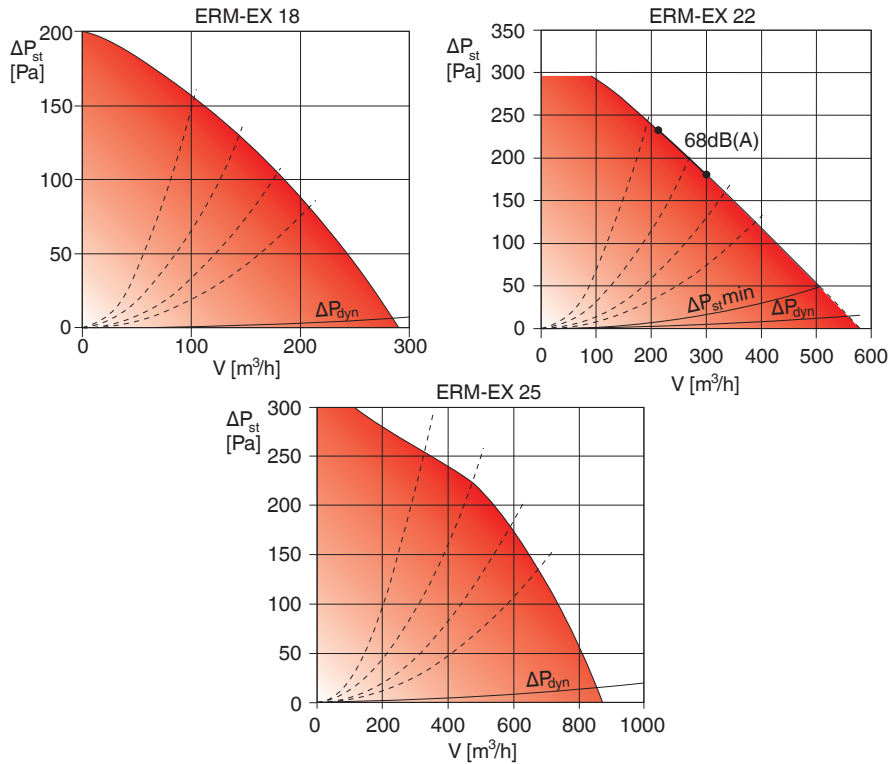
- Type-examination tested according to European Directive 94/9/EC (ATEX)
- Device group II, Category 2 G
- Type of protection "e": Increased safety
- For zones 1 and 2
- For ventilation or air extraction, depending on the installation direction
- Can be fitted in any position
- Balanced safety technology available
- Up to 870 m³/h

Order example

- **ERM-EX 18 + FUM**
- ERM-EX 18:** Type of fan
FUM: Console type

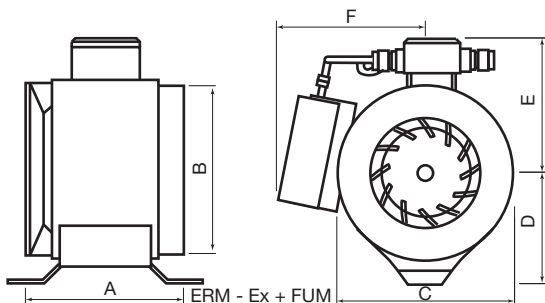
Air performance data					
	Q [m³/h]				
	50Pa	100Pa	150Pa	200Pa	250Pa
ERM-EX 18	240	180	110	-	-
ERM-EX 22	500	430	350	260	180
ERM-EX 25	800	730	640	550	330

Selection curves



	Technical data						
	U [V]	P [W]	I [A]	Tm [°C]	Tu [°C]	n [rpm]	Lwa 5 [dB(A)]
ERM-EX 18	1 x 230	59	0.28	50	50	2760	66
ERM-EX 22	1 x 230	200	0.93	50	50	2850	73
ERM-EX 25	1 x 230	300	1.42	50	50	2890	75

- Tm = Maximum air temperature
- Tu = Maximum ambient temperature
- Lwa 5 = Sound power level @inlet



	Dimensions						
	A [mm]	Ø B [mm]	Ø C [mm]	D [mm]	E [mm]	F [mm]	Kg
ERM-EX 18	161	175	180	137	140	160	2
ERM-EX 22	175	221	230	165	165	195	5
ERM-EX 25	205	245	255	178	180	210	6.5