



## Fan boxes with EC motor - 25 mm insulation type CVI-DP EC

Sound-dampening centrifugal fan box with EC motor and safety switch, with or without Regulo regulation (= constant pressure)

### Application

- For little and medium sized installations in the tertiary or industrial sector
- Air flow rate from 250 to 5.800 m<sup>3</sup>/h, selections possible up to 550 Pa
- Convenient for air supply and extraction
- Convenient for indoor and outdoor installation

### Composition

- This compact air treatment unit exists of two half elements and two lateral access doors
- Ventilation box, turbine and spiral casing in galvanized steel
- Easy transport and mounting thanks to the square dimensions
- Connection spigot for air supply and extraction
- Grommet on air extraction panel for electric supply of the motor
- Double skinned rock wool insulation with a thickness of 25 mm and steel plate (optional)

### Motor

- Direct driven IP44 motor-ventilator detached from the frame and with mounting feet
- Easy connection and access thanks to the lateral inspection panel with quarter turn lock
- Motor of the closed type, protection class IP44, insulation class F
- Electric supply: mono phased 230V 50Hz, operating temperature -20/40°C continuous till size 12/12

### Options

- Constant pressure regulation is optional (Regulo)
- Constant flow regulation available upon request

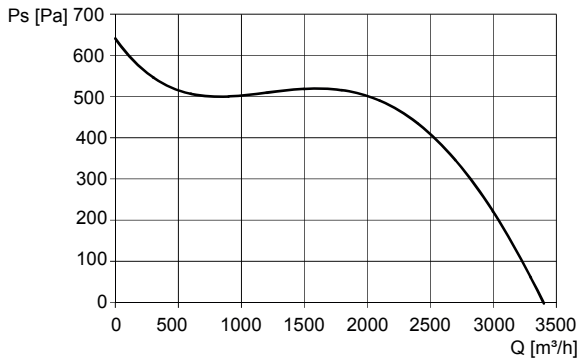
### Accessories

- Potentiometer, type **ESCP010** (for the models without Regulo)

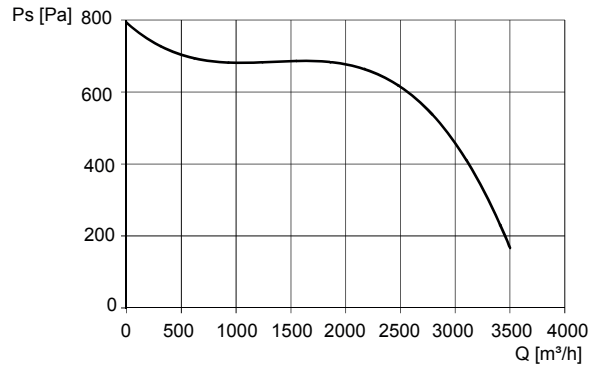
Air performance data											
	Q [m³/h]										
	100 Pa	200 Pa	300 Pa	400 Pa	500 Pa	600 Pa	750 Pa	800 Pa	900 Pa	1000 Pa	1200 Pa
CVI-DP EC 7/7	3250	3050	2820	2550	2000	-	-	-	-	-	-
CVI-DP EC 9/9	-	3460	3250	3125	2875	2575	590	-	-	-	-
CVI-DP EC 10/10	-	3825	3625	3375	3115	2800	2200	1900	1025	-	-
CVI-DP EC 12/12	-	5550	5375	5150	4850	4450	3630	3200	2700	2000	800

Selection curves

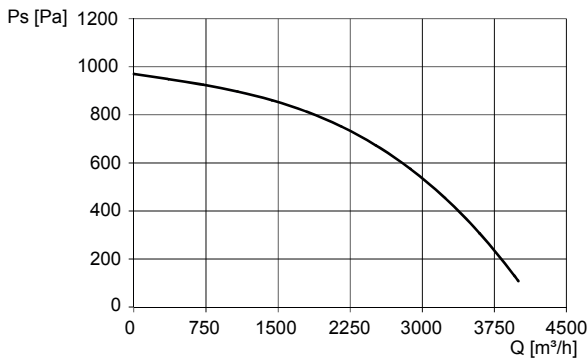
CVI-DP EC 7/7



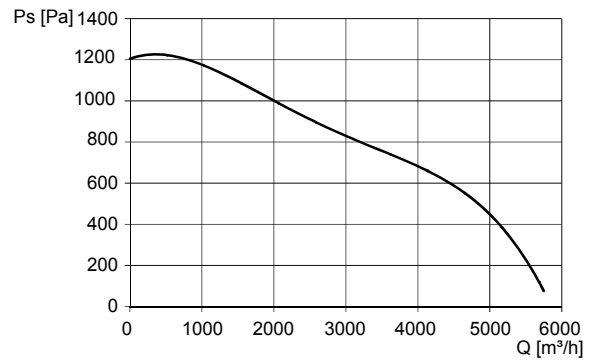
CVI-DP EC 9/9



CVI-DP EC 10/10

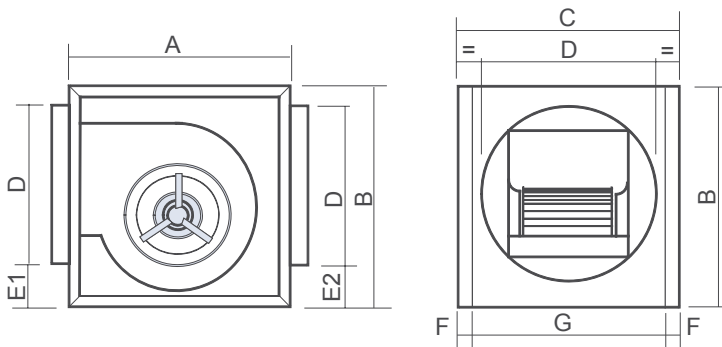


CVI-DP EC 12/12



Technical data							
	U [V]	P [W]	I [A]	Tu [°C]	n [rpm]	IP	
CVI-DP EC 7/7	1 x 230	400	4,3	+40	1950	44	
CVI-DP EC 9/9	1 x 230	400	4,3	+40	1950	44	
CVI-DP EC 10/10	1 x 230	800	4,7	+40	1950	44	
CVI-DP EC 12/12	1 x 230	2000	7,5	+40	1600	44	

Tu = Maximum ambient temperature



Dimensions							
	A [mm]	B [mm]	C [mm]	ØD [mm]	E1 [mm]	E2 [mm]	[kg]
CVI-DP EC 7/7	450	450	450	250	148	148	24
CVI-DP EC 9/9	550	550	550	355	140	140	35
CVI-DP EC 10/10	600	600	600	400	154	154	39
CVI-DP EC 12/12	650	650	700	450	155	155	53