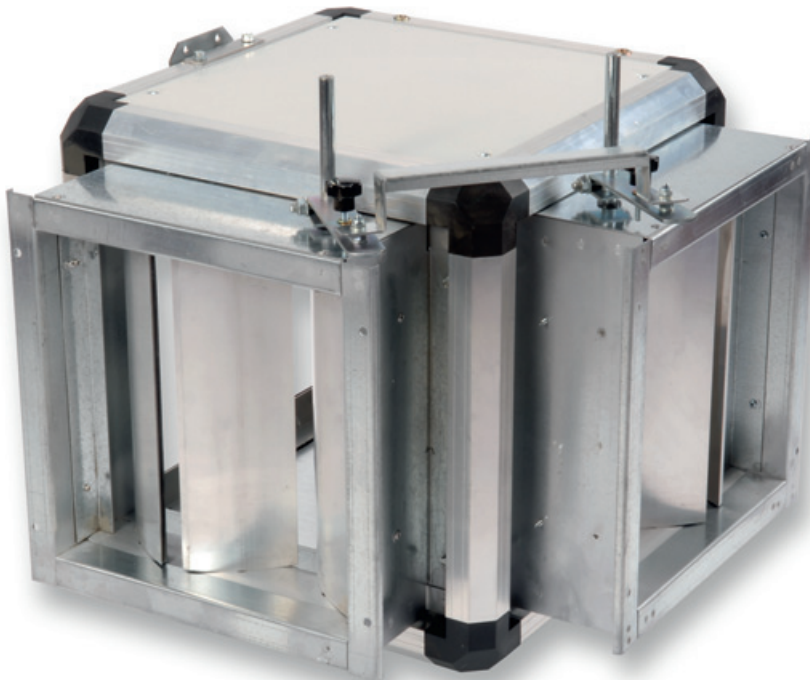


- Mixing modules
- 2-way mixing section module

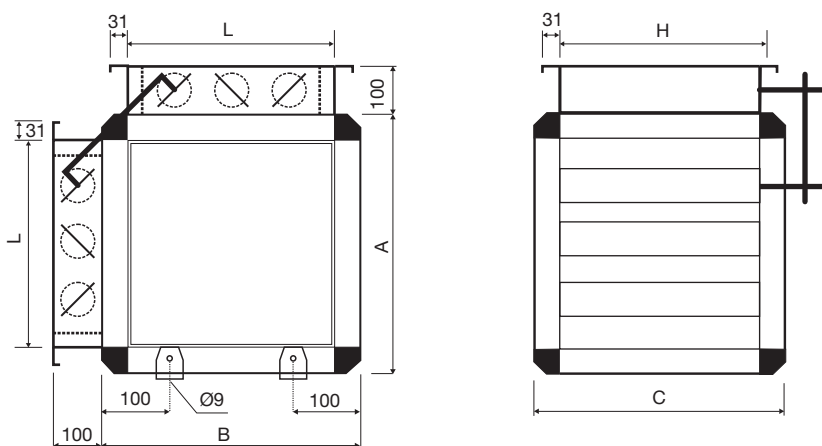


2-way mixing module for MVB type MVX-2V

2-way mixing module

Composition

- The module is standard supplied with manual control. Can be motorised.
- Damper with contra-rotating blades.
- MVX4 2V up to MVX7 2V: damper can be placed on any side of the module and can be motorised with only one servomotor type **BELIMO**.
- MVX8 2V and MVX9 2V damper is placed at the back side and on top of the module, can be motorized with only one servomotor. On request, damper placed on lateral sides, motorized with two servomotors.
- Supplied as a separate component, unmounted. Factory mounted upon request.
- Outer panel: pre-painted sheet steel (RAL 9007) with protective film



	Dimensions					
	L [mm]	H [mm]	A [mm]	B [mm]	C [mm]	Kg
MVX-2V 4	300	300	445	445	445	31
MVX-2V 5	400	400	545	545	545	41
MVX-2V 6	500	500	645	645	645	54
MVX-2V 7	600	600	745	745	745	66
MVX-2V 8	700	700	845	845	970	81
MVX-2V 9	800	800	945	945	1170	109