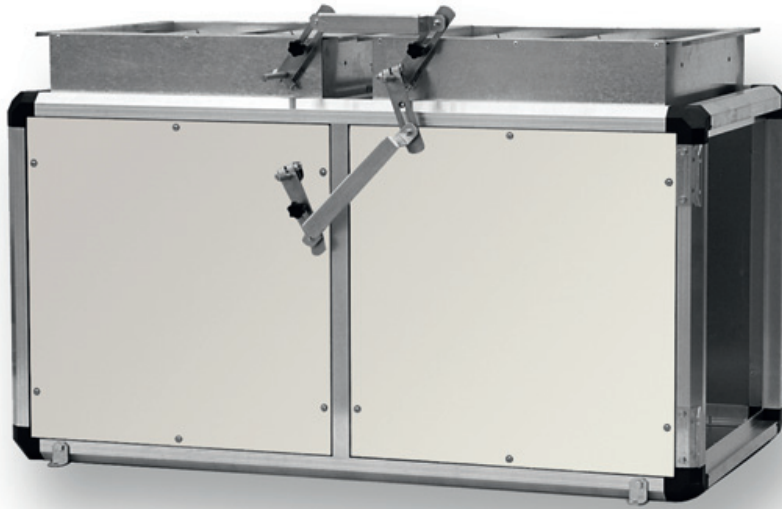


- Mixing modules
- 3-way mixing section module

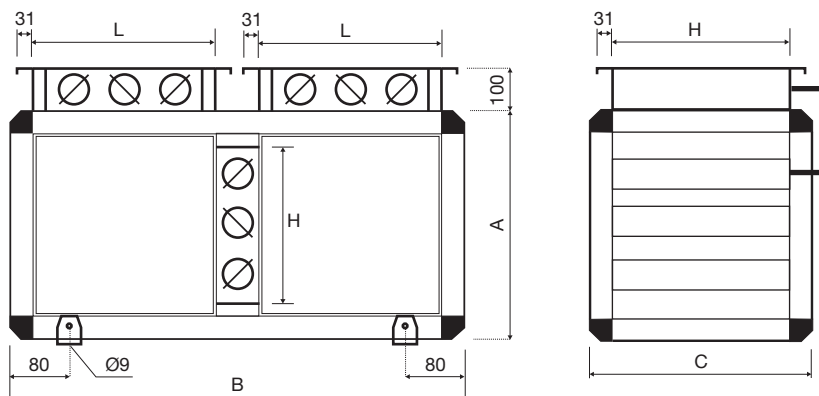


3-way mixing module type MVX-3V

3-way mixing module

Composition

- The module is standard supplied with a 3-way manual control.
- Damper placed standard on top of the module.
- Outdoor installation: dampers placed on the lateral sides, option: 2 or 3 servomotors **BELIMO** and rain roof.
- Other configurations available on request.
- Supplied as a separate component, unmounted. Factory mounted upon request.



Dimensions						
	L [mm]	H [mm]	A [mm]	B [mm]	C [mm]	Kg
MVX-3V 4	300	300	445	845	445	54
MVX-3V 5	400	400	545	1045	545	72
MVX-3V 6	500	500	645	1245	645	95
MVX-3V 7	600	600	745	1445	745	117
MVX-3V 8	700	700	845	1645	970	145
MVX-3V 9	800	800	945	1845	1170	195