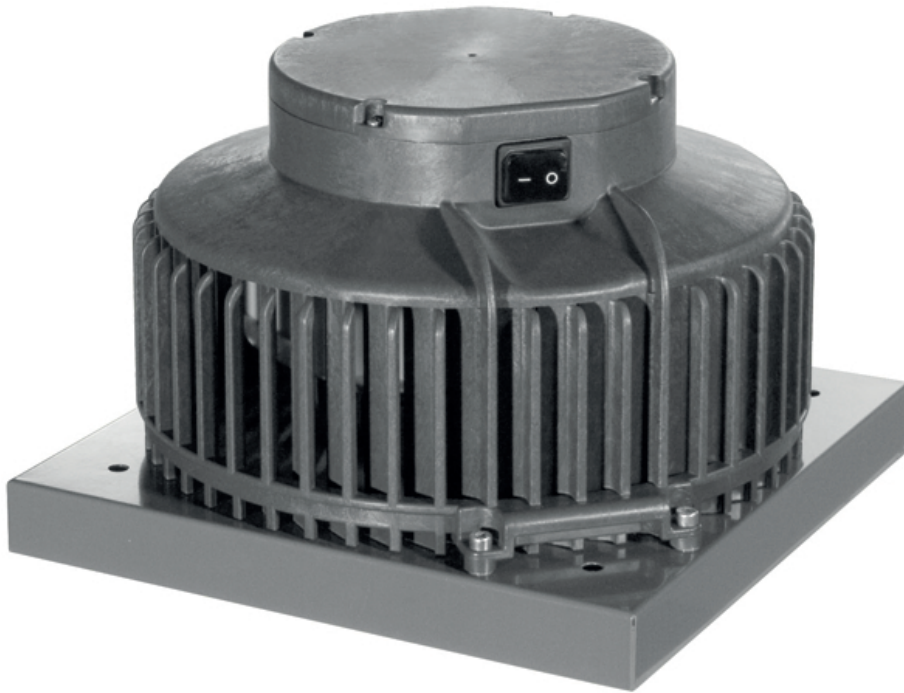


- Roof fans AC motor
- Horizontal discharge
- Motor in air stream



## Roof Unit type ARU-S

Roof unit horizontal outlet with security switch.

### Application

- These fans are designed for direct or ducted ventilation in residential, commercial and industrial buildings

### Composition

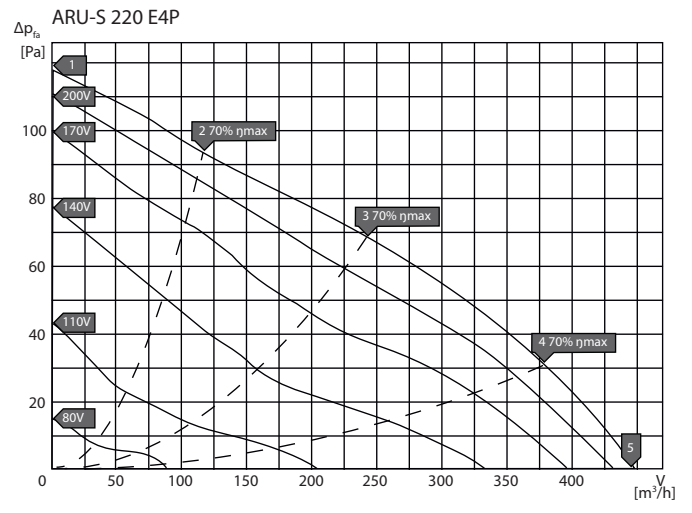
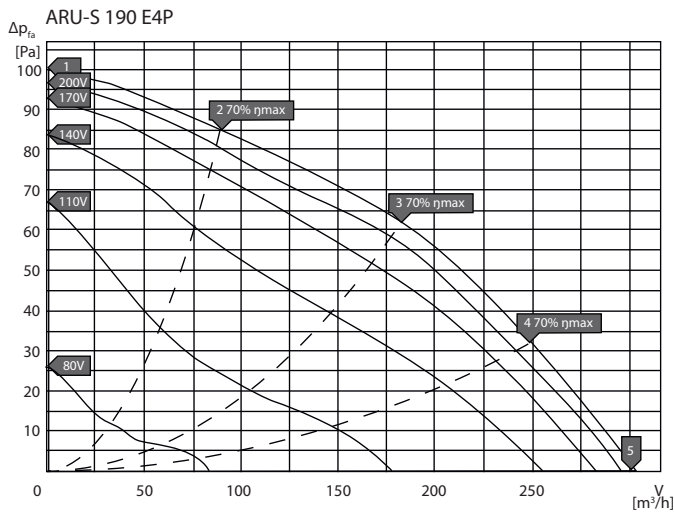
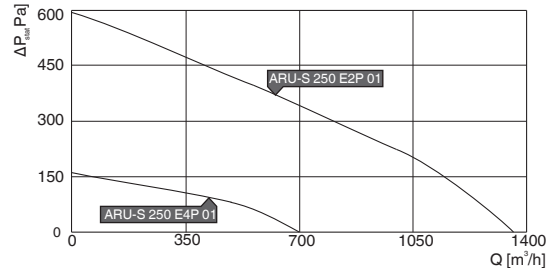
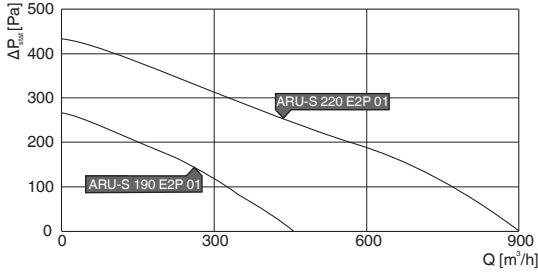
- The plastic (ASA) RAL 7012 housing is made like a bird and finger guard
- Frame made of galvanized sheet steel powder coated with threaded pins for connection of flanges
- Turbine with backward curved blades, procured from plastic and outbalanced G6.3 according to DIN ISO 1940
- Maintenance-free, long-life ball bearings
- Voltage: 230Vac 1ph
- Engine: Insulation class F – Protection class IPX4
- Connection box IP54 for ARU-S 250 E4P 02, IP44 for ARU-S 190 E2P 50 - ARU-S 220 E2P 01 and no connection box for ARU-S 190 E4P 01 - ARU-S 220 E4P 01
- Thermal security system:
  - ARU-S 190 E2P 50: temperature operated switch mechanism with manual reboot, connected on the inside
  - ARU-S 190 E4P 01 - ARU-S 250 E4P 02: temperature operated switch mechanism with manual reboot, connected on the inside
- Integrated safety switch

### Ancillaries

- Acoustic roof socket, type **RAC-I**
- Roof socket, type **RC-I**
- Backdraught shutter, type **RAS**
- Flexible connector, type **RFC**
- Matching flange, type **RIF**
- Transformer speed controllers, type **TSC-1**

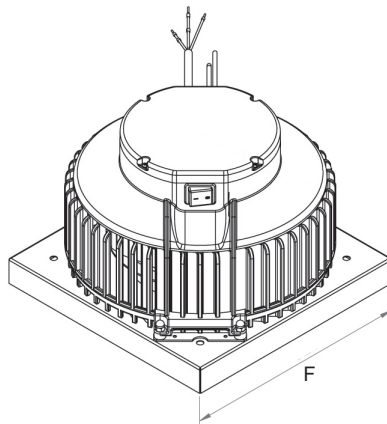
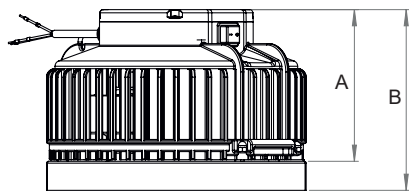
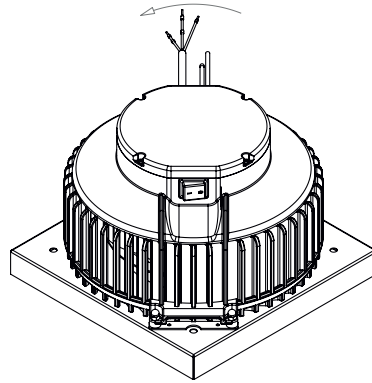
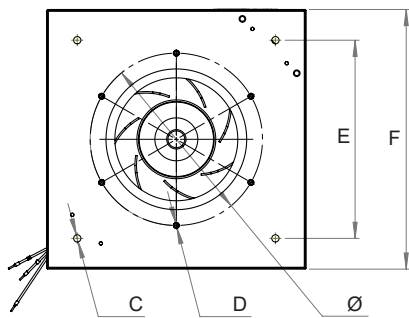
	Air performance data					
	Q [m³/h]					
	50 Pa	100 Pa	150 Pa	200 Pa	250 Pa	300 Pa
ARU-S 190 E2P 50	501	436	372	290	198	114
ARU-S 190 E4P 01	215	-	-	-	-	-
ARU-S 220 E2P 01	840	770	685	570	445	330
ARU-S 220 E4P 01	320	95	-	-	-	-
ARU-S 250 E4P 02	550	425	-	-	-	-

Selection curves



Technical data												
	U [V]	P [W]	I [A]	SC <sub>T</sub>	η <sub>t</sub> [%]	T <sub>m</sub> [°C]	T <sub>u</sub> [°C]	T <sub>o</sub> [°C]	n [rpm]	Lwa [dB(A)]		
										Lwa 5	Lwa 6	Lwa 2
ARU-S 190 E2P 50	1 x 230	53	0.3	TSC-1-15	28.6	70	70	-25	2320	69	78	-
ARU-S 190 E4P 01	1 x 230	18	0.24	TSC-1-15	16.3	80	80	-25	1390	55	59	-
ARU-S 220 E2P 01	1 x 230	112	0.51	TSC-1-15	28.1	45	45	-25	2380	71	77	-
ARU-S 220 E4P 01	1 x 230	22	0.23	TSC-1-15	20.6	80	80	-25	1260	56	61	-
ARU-S 250 E4P 02	1 x 230	53	0.3	TSC-1-15	21.4	65	65	-25	1290	64	67	-

- SC<sub>T</sub> = Transformer speed controller
- η<sub>t</sub> = Maximum total efficiency
- T<sub>m</sub> = Maximum air temperature
- T<sub>u</sub> = Maximum ambient temperature
- T<sub>o</sub> = Minimum operating temperature
- Lwa 2 = Casing sound power level
- Lwa 5 = Sound power level @inlet
- Lwa 6 = Sound power level @outlet
- The sound power levels are measured according to DIN 45635 part 2 & 38



	Dimensions							
	A [mm]	B [mm]	C [mm]	D [mm]	E [mm]	F [mm]	Ø [mm]	[kg]
ARU-S 190	188	223	4 x Ø9	(6x) M6 x 15	245	321	213	4.8
ARU-S 220	188	223	4 x Ø9	(6x) M6 x 15	245	321	213	5
ARU-S 250	188	223	4 x Ø9	(6x) M6 x 15	245	321	213	5.6