

Roof curbs type RC-I

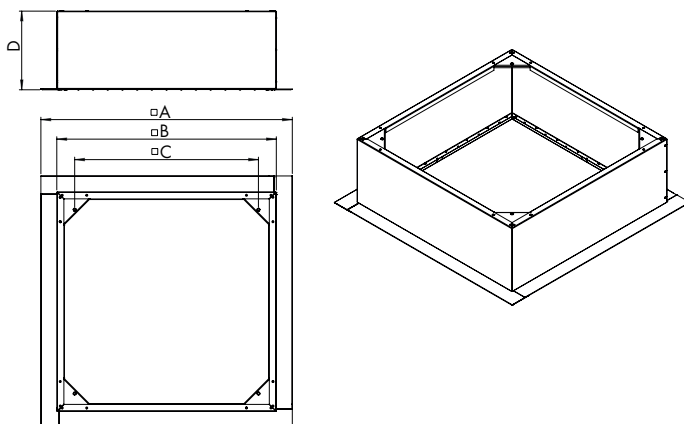
Roof curb for a flat roof for **ARU, ARU-EC, ARFV-S, KRFI-S, RFIS-EC**

Application

- For direct placement on flat roof
- RC-I for pitched roofs (3 ° - 24 °) possible on request

Composition

- The **RC-I** is made of aluminium with 30 mm insulation.
- The non-return valve **RAS**, flexible sleeve **RFC** and counter flange **RIF** can be mounted in the RC-I



	Dimensions				
	A (mm)	B (mm)	C (mm)	D (mm)	[kg]
RC-I 190-250	430	300	245	320	2.9
RC-I 280-315	526	396	330	320	3.9
RC-I 355-400	685	555	450	320	5.0
RC-I 450-500	744	614	535	320	6.0
RC-I 560-630	1026	896	750	320	9.0
RC-I 710	1115	985	840	320	33.5