



Acoustic curbs type RAC-I

Acoustic roof curb for **ARU-S, ARU-S EC, ARFV-S, ARFV-S EC, KRFI-SN, KRFI-SN EC and RFIS-EC**

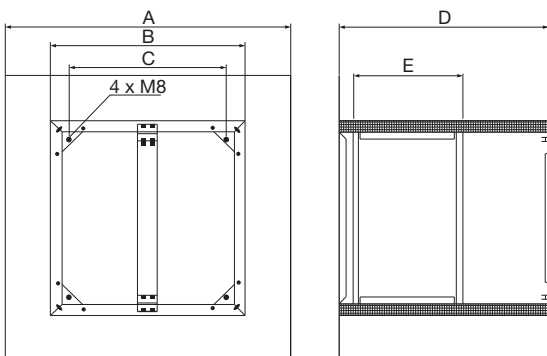
Application

- For direct placement on flat roof
- RAC-I for pitched roofs (3 ° - 24 °) possible on request

Composition

- The **RAC-I** is made of aluminium with 30 mm insulation.
- The non-return valve **RAS** can be mounted in the RAC-I

	Sound attenuation						
	dB(A)						
	125 Hz	250 Hz	500 Hz	1k Hz	2k Hz	4k Hz	8k Hz
RAC-I 190-250	1	3	13	17	13	16	14
RAC-I 280-315	1	2	6	14	18	17	14
RAC-I 355-400	2	3	7	18	16	11	10
RAC-I 450-500	2	3	6	18	14	9	9
RAC-I 560-630	0	1	5	10	8	6	5
RAC-I 710	1	8.6	14	22.6	22	16.2	14.7



Dimensions						
	A [mm]	B [mm]	C [mm]	D [mm]	E [mm]	[kg]
RAC-I 190-250	457	300	245	600	410	6,3
RAC-I 280-315	557	396	330	600	381	8,3
RAC-I 355-400	757	555	450	601	312	12,1
RAC-I 450-500	815	614	535	601	323	14,1
RAC-I 560-630	1097	896	750	601	314	21,3
RAC-I 710	1186	985	840	1166	827	53,2