

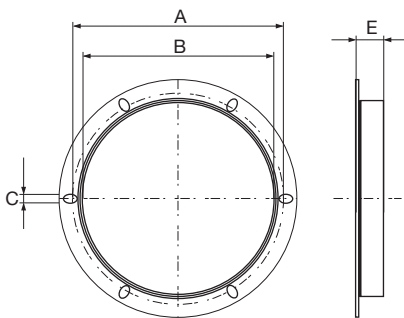


## Matching flange type RIF

Matching flange for **ARFV-S** or **KRFI-S**

### Composition

- Matching flange made of galvanised steel sheet



	Dimensions				
	A [mm]	B [mm]	C [mm]	E [mm]	[kg]
RIF 190-250	217	179	8	40	0.26
RIF 280-315	286	249	10	40	0.39
RIF 355-500	438	399	10	40	0.70
RIF 560-630	605	569	10	30	0.85
RIF 710	674	638	10	30	1.50